

Use & Care Guide
Manual de Uso y Cuidado
English / Español

Kenmore®

Carbon Infrared Heater with Tripod

CALENTADOR INFRARROJO DE CARBONO CON TRÍPODE

Models / Modelos : KH-7E01-SSTP & KH-7E01-BKTP

If you have any questions, please call 1-888-287-0735,
between 8:00 a.m. to 5:00 p.m. PST, or visit us at Kenmoreheaters.com

Si tiene alguna pregunta, llame al 1-888-287-0735,
de 8:00 a. m. a 5:00 p. m. PST, o visítenos en Kenmoreheaters.com



Kenmore and the Kenmore logo are registered trademarks of Transform SR Brands LLC and are used under license by Permasteel, 100 Exchange Place, Pomona, CA 91768.

Kenmore y el logotipo de Kenmore son marcas comerciales registradas de Transform SR Brands LLC y se usan bajo licencia de Permasteel, 100 Exchange Place, Pomona, CA 91768.

TABLE OF CONTENTS

Product Warranty 3

Important Safety Instructions 4-5

Product Specifications 6

Warning Incorrect Placement 7-9

Parts List 10-12

Assembly & Installation Instructions 13-21

Operating Instructions 22-23

Troubleshooting 24

Cleaning & Maintenance 25

	WARNING	
<p>CALIFORNIA PROPOSITION: Combustion by-products produced when using this contain chemicals known to the State of California to cause cancer, birth defects, and other reproductive harm. For more information go to www.P65Warnings.ca.gov</p> <p><u>Wash your hands after handling this product.</u></p>		

WARRANTY

LIMITED WARRANTY

WITH PROOF OF SALE: the following warranty coverage applies when this appliance is correctly installed, operated and maintained according to all supplied instructions. Note: Consumer is responsible for shipping & handling of all warranty replacement parts.

FOR ONE (1) YEAR FROM THE DATE OF ORIGINAL PURCHASE: from the date of sale this heater is warranted against defects in material or workmanship, consumer will receive free replacement parts with proof of purchase, consumer is responsible for shipping & handling cost.

All warranty coverage excludes paint loss, discoloration or surface rusting, which are either expendable parts that can wear out from normal use within the warranty period, or are conditions that can be the result of normal use, accident or improper maintenance.

All warranty coverage is void if this appliance is ever used for other than private household purposes.

For warranty coverage details or to obtain replacement parts, visit the web page: Kenmoreheaters.com

This warranty covers ONLY defects in material and workmanship, and will NOT pay for:

1. Expendable items that can wear out from normal use within the warranty period, including but not limited to surface coatings or finishes.
2. Service calls to correct appliance installation not performed by Permasteel authorized service agents, or to repair problems with house fuses, circuit breakers, and house wiring.
3. Damage to or failure of this appliance, including discoloration or surface rust, if it is not correctly operated and maintained according to all supplied instructions.
4. Damage to or failure of this appliance, including discoloration or surface rust, resulting from accident, alteration, abuse, misuse or use for other than its intended purpose.
5. Damage to or failure of this appliance, including discoloration or surface rust, cause by the use of detergents, cleaners, chemicals or utensils other than those recommended in all instructions supplied with the product.
6. Damage to or failure of this appliance resulting from natural or other catastrophe, such as flood, fire or storm.
7. Damage to or failure of parts or systems resulting from unauthorized modifications made to this appliance.
8. Service to an appliance if the model and serial plate is missing, altered, or cannot easily be determined to have the appropriate certification logo.

Disclaimer of implied warranties; limitation of remedies

Customer's sole and exclusive remedy under this limited warranty shall be product replacement parts as provided herein. Implied warranties, including warranties of merchantability or fitness for a particular purpose, are limited to 1 year on the heater. Seller shall not be liable for incidental or consequential damages. Some states and provinces do not allow the exclusion or limitation of incidental or consequential damages, or limitation on the duration of implied warranties of merchantability or fitness, so these exclusions or limitations may not apply to you.

This warranty gives you specific legal rights, and you may also have other rights which varies from state to state.

The Kenmore brand is used under license. Direct all claims for warranty service to: 1-888-287-0735.

Exclusions for commercial use.

Permasteel Inc, Pomona, CA 91768.

IMPORTANT SAFETY INSTRUCTIONS

WARNING

THESE INSTRUCTIONS SHOULD BE READ CAREFULLY AND RETAINED FOR FUTURE REFERENCE.

We cannot be liable for any damage caused by the failure to observe these instructions.

READ CAREFULLY – This infrared heater has been designed for safe operation. However, if it is not installed, maintained, or operated correctly, it may be dangerous and cause injury. To reduce the risk of fire, electrical shock, or personal injury, please follow the procedures below. Please save these instructions for future use.

1. Read all instructions before using this heater.
2. Remove the unit from its packaging and check to make sure it is in good condition before using it.
3. Do not let children play with parts of packaging (such as plastic bags).
4. Check the household voltage to ensure it matches the heater's rated specification.
5. Check the power cord and plug carefully before use, to make sure that they are not damaged.
6. Before unplugging the power cord, be sure to turn off the power. When turning on the heater, be sure your hands are dry to prevent electric shock.
7. This heater is hot when in use. To avoid burns, do not let bare skin touch hot surfaces. If provided, use handles when moving this heater. Keep combustible materials, such as furniture, pillows, bedding, papers, clothes, and curtains at least 3 feet (0.9 m) from the front of the heater and keep them away from the sides and rear.
8. Extreme caution is necessary when the heater is being used near children.
9. Do not leave the heater unattended for long periods of time while in operation.
10. To protect against electric shock, do not immerse cord or plug in water or any other liquid.
11. Do not insert or allow foreign objects to enter any ventilation or exhaust opening, as this may cause an electric shock, fire or damage to the heater.
12. Always unplug the heater when not in use.
13. Connect to properly grounded outlets only.
14. Always plug heaters directly into a wall outlet/receptacle. Never use with an extension cord or relocatable power tap (outlet/power strip).
15. Do not allow the cord to overhang the countertop where it can be easily pulled by children.
16. Do not put fingers or foreign objects into the heater while in operation.
17. Do not leave the appliance unattended when in use.
18. This heater is not intended for use in bathrooms, laundry and similar indoor locations. Never put heater where it may fall into a bathtub or other water container.
19. No liability can be accepted for any damage caused by non compliance with these instructions or any other improper use or mishandling.
20. This appliance is not intended for use by persons (including children) with reduced physical, sensory or mental capabilities or lack of experience and knowledge unless they have been given supervision or instruction" to "unless they are supervised or given instruction concerning the use of the appliance by a person responsible for their safety. Children and vulnerable people should be supervised to ensure they do not play with the appliance.
21. Use this heater only as described in this manual. Any other use not recommended by the manufacturer may cause fire, electric shock, or injury to people.

IMPORTANT SAFETY INSTRUCTIONS

22. Do not operate any heater with a damaged cord or plug or if the heater malfunctions, has been dropped or damaged in any manner. Disconnect power from the service panel and have the heater inspected by a reputable electrician before reusing. If you have any reason to believe that the electrical cord or plug on your heater is damaged, do not attempt to operate the heater. Similarly, if the heater itself has been dropped or damaged in any way, immediately disconnect the power and have it inspected by a professional before using it again. Operation of a damaged or malfunctioning unit is extremely dangerous and could lead to fire or serious injury.
23. Do not run cord under carpeting. Do not cover the cord with throw rugs, runners, or similar coverings. Do not route cord under furniture or appliances. Arrange cord away from traffic area and where it will not be tripped over.
24. To disconnect heater, turn controls to OFF, then remove the plug from outlet.
25. To prevent overheating of this appliance, keep the air inlets and outlets clean and free of anything that may cause blockage. Check all inlets and outlets from time to time to ensure it is clear of any dirt or dust accumulation. **DO NOT COVER.**
26. A heater has hot and arcing or sparking parts inside. Do not use it in areas where gasoline, paint, or flammable liquids are used or stored.
27. Parts of the heater may exceed 392° F (200 ° C). Contact with the heating tube, reflector, or metal parts near the heating tube, may cause severe BURNS. To avoid burns, do not let bare skin touch hot surface.
28. **NEVER** place hands under the heating elements. **ALWAYS** allow heating element to cool at least 10 minutes before touching the heating tube or adjacent parts.
29. This product contains recyclable materials. Do not dispose of this product as unsorted municipal waste. Please contact your local municipality for the nearest collection point.



WARNING



Recommended primarily for indoor or sheltered outdoor use only. DO NOT expose to rain or moisture.

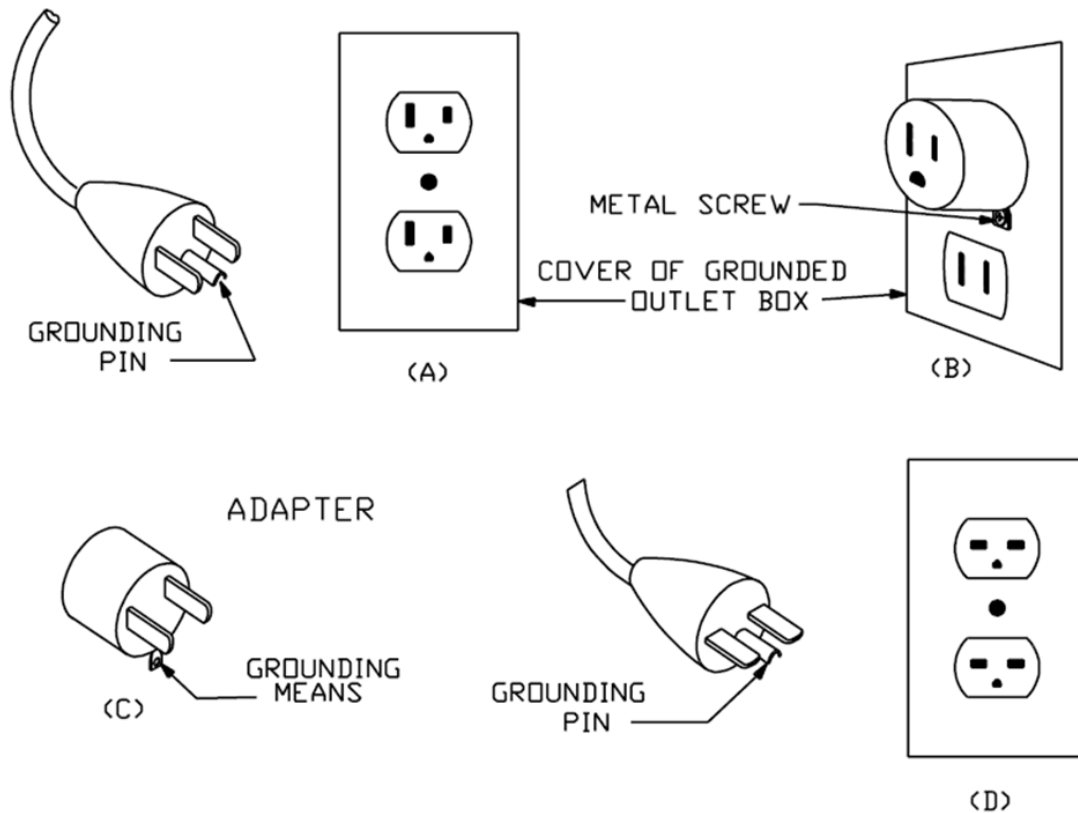
PRODUCT SPECIFICATIONS

INTRODUCTION

The carbon infrared heater produces instant and comfortable heat like the sun. These robust and weatherproof heaters are designed for domestic heating applications within indoor and outdoor areas.

Model	KH-7E01-SSTP / KH-7E01-BKTP
Voltage (V)	120V AC
Wattage (W)	1500
Hertz (Hz)	60
Dimensions (W x H x D)	33.30 x 6.29 x 4.92 in 84.6 x 16 x 12.5 cm
Weight	6.17 lb. (2.8 kg)

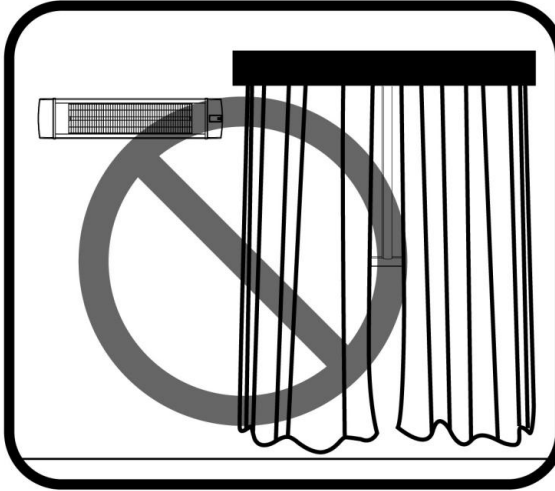
This heater is for use on 120 volts. The cord has a plug as shown in (A) in Figure 68.1. An adapter as shown at (C) is available for connecting three-blade grounding-type plugs to two-slot receptacles. The green grounding lug extending from the adapter must be connected to a permanent ground such as a properly grounded outlet box. The adapter should not be used if a three-slot grounded receptacle is available.



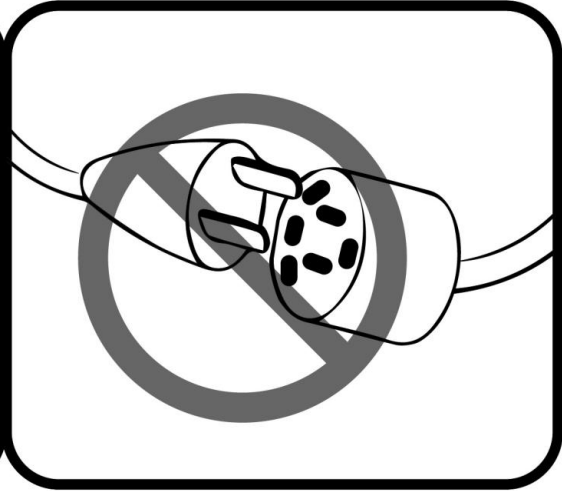
(Figure 68.1: Grounding Methods)

WARNING INCORRECT PLACEMENT

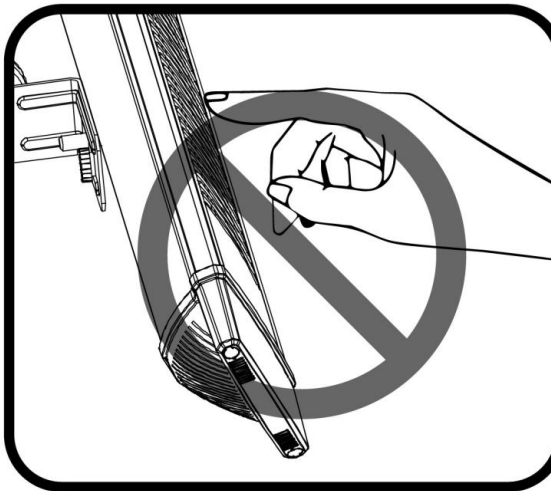
WARNING: To reduce the risk of fire



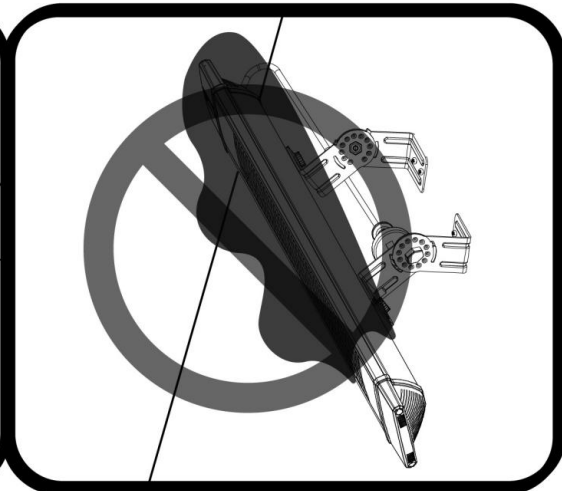
Caution: Keep combustible materials, such as furniture, pillows, curtains at least 3 feet (0.9m) from the front of the heater and keep them away from the sides and rear.



Caution: Do NOT use with an extension cord or relocatable power tap (outlet/power strip).



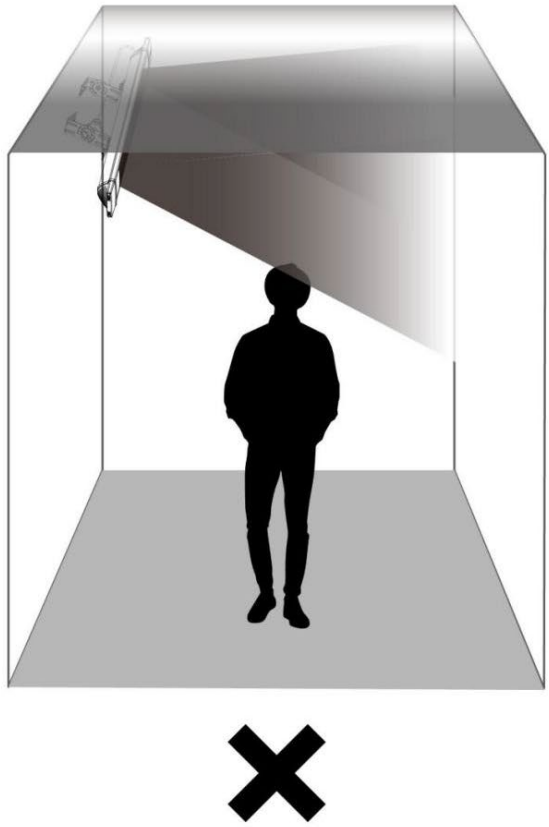
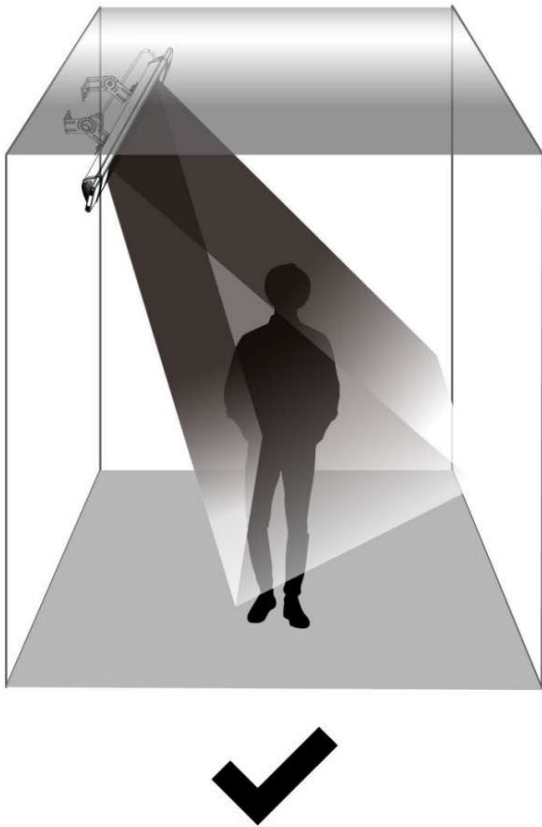
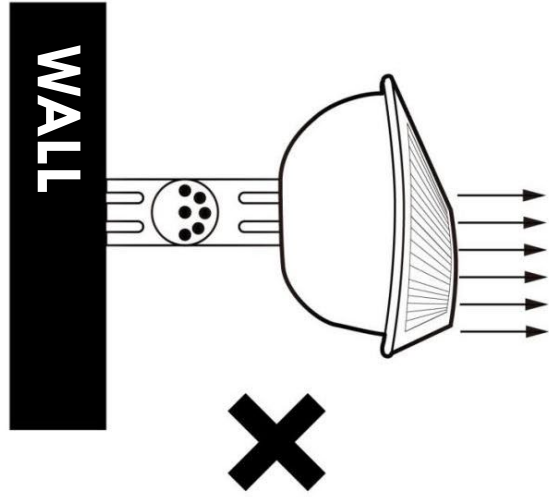
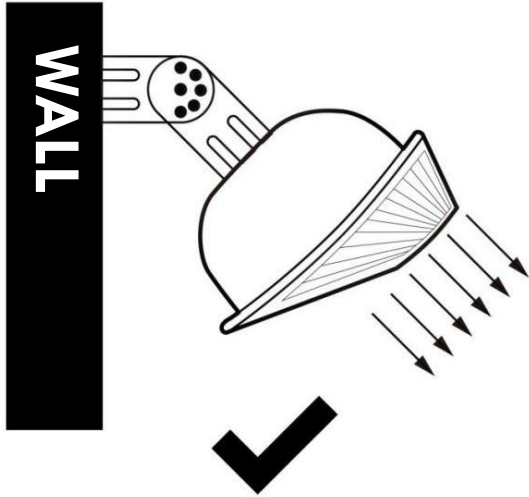
Caution: Hot surface, do NOT touch.



Caution: Do NOT cover with any objects such as blanket on the heater.

WARNING INCORRECT PLACEMENT

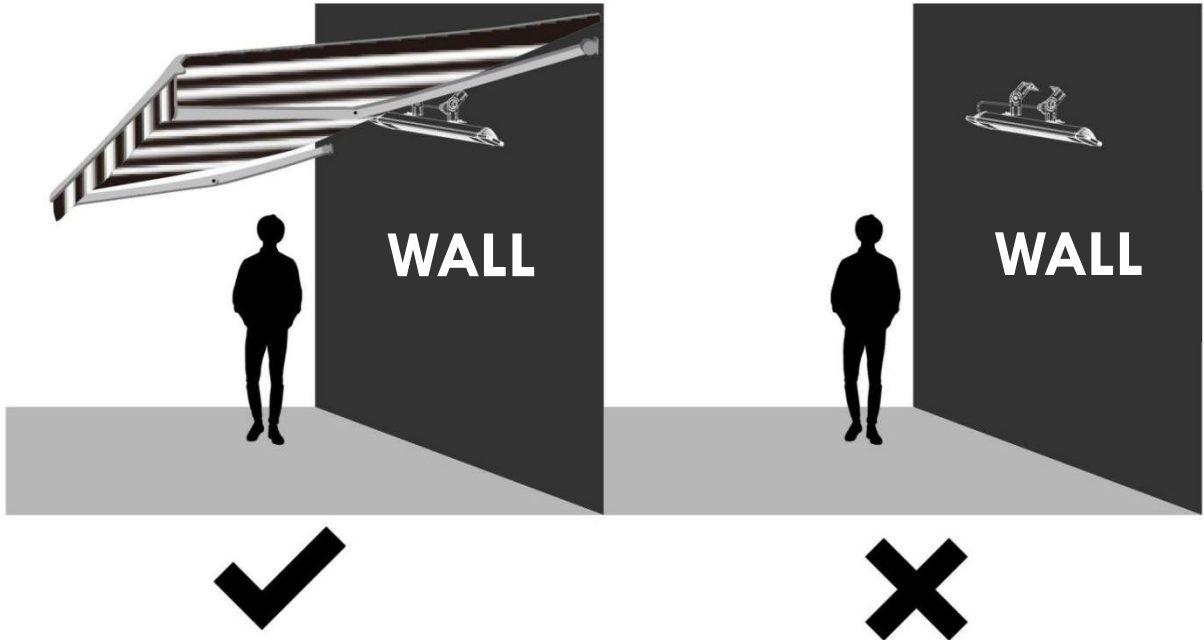
Correct Installation Position - 01



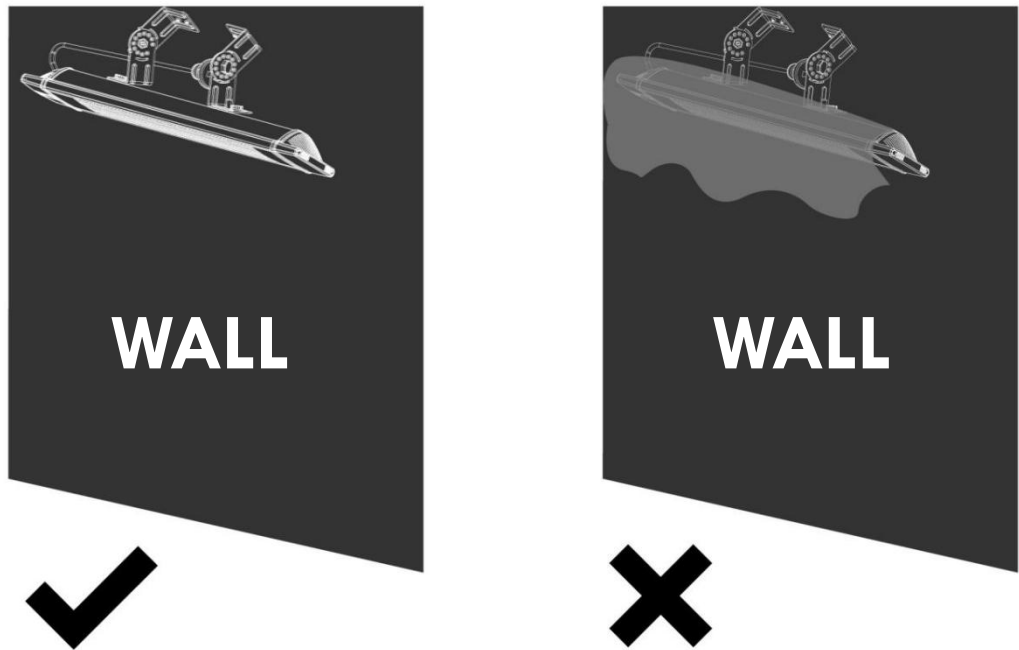
Note: Mounted angle with 30° - 45°

WARNING INCORRECT PLACEMENT

Correct Installation Position - 02



Note: Heater should be wall or ceiling mounted under wall protected environments, keep at least 3 feet (0.9 m) away from any combustible objects.



Note: Do not cover.

PARTS LIST

Key	Description	Qty	Part Number
1	Heater (SS)	1	KH-7E01-TP-01
2	Tilt Protection Grid	1	KH-7E01-TP-02
3	Tripod	1	KH-7E01-TP-03

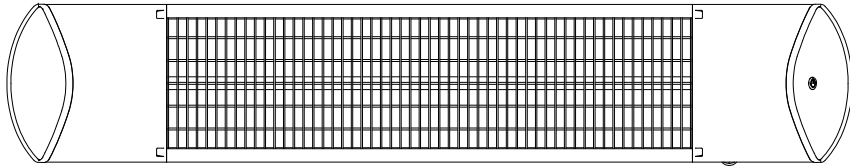
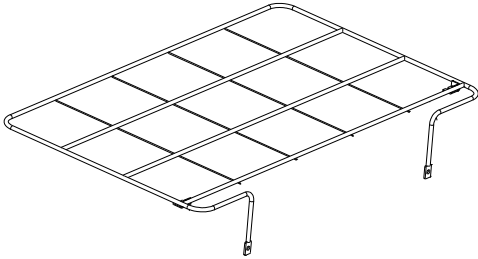
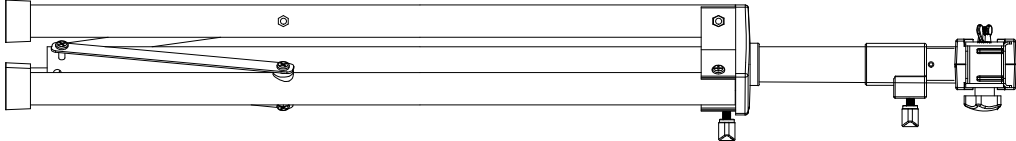
Please make sure all parts are there before beginning assembly.

If you are missing hardware or have damaged parts after unpacking heater, call 1-888-287-0735.

Or Visit us at Kenmoreheaters.com

Not Pictured

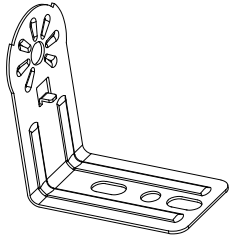

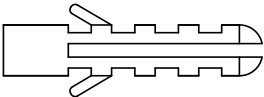
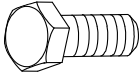
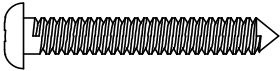
Manual	1	KH-7E01-TP-M
--------	---	--------------

1. Heater		1 pc
2. Tile Protection Grid		1 pc
3. Tripod		1 pc

PARTS LIST

NOTE: Please make sure all parts are there before beginning assembly.

INSTALLATION HARDWARE (WALL MOUNTED):

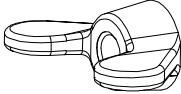
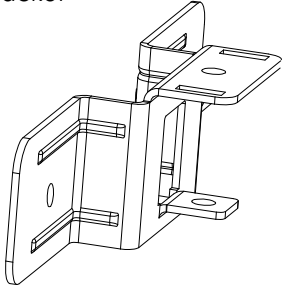
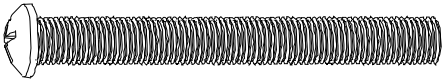
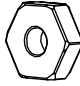
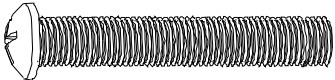
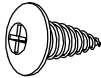
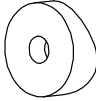
<p>1) L-Shaped Bracket Qty: 4 pcs</p> 	<p>4) M6mm Nut Qty: 2 pcs</p> 
<p>2) Plastic Anchor Qty: 4 pcs</p> 	<p>5) M6mm x 12mm Screw Qty: 2 pcs</p> 
<p>3) PA5mm x 25mm Mounting Screw Qty: 4 pcs</p> 	

If you are missing hardware or have damaged parts after unpacking heater, call 1-888-287-0735.
Or Visit us at Kenmoreheaters.com

PARTS LIST

NOTE: Please make sure all parts are there before beginning assembly.

INSTALLATION HARDWARE (TRIPOD MOUNTED):

<p>A) Wing Nut Qty: 4 pcs</p> 	<p>E) I-Shaped Bracket Qty: 1 pc</p> 
<p>B) PM6mm x 60mm Machine Screw Qty: 1 pc</p> 	<p>F) M6mm Nut Qty: 2 pcs</p> 
<p>C) PM6mm x 44mm Machine Screw Qty: 1 pc</p> 	<p>G) TMS Screw Qty: 2 pcs</p> 
<p>D) Plastic Curved Washer Qty: 1 pc</p> 	

If you are missing hardware or have damaged parts after unpacking heater, call 1-888-287-0735.
Or Visit us at Kenmoreheaters.com

ASSEMBLY & INSTALLATION INSTRUCTION

TOOLS NEEDED: (not provided)

1. Pencil
2. Hammer
3. Level
4. Screwdriver
5. Power drill and drill bits

A mounting bracket is provided with the heater which has been specifically designed to allow this product to be fitted to a ceiling or wall. Ensure that there are no water pipes or electrical wires before drilling.

ATTENTION: The appliance must be installed on the solid surfaces like concrete, wood or metal etc.

Important: Ensure the supply cable is well mounted and that it does not come into contact with reflector of the heater or that does not trail into heated area, the supply cable can be fixed to the metal mounting bracket behind heater with plastic zip ties.

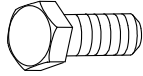
1. This heater should be installed by a competent person, i.e. a qualified electrician.
2. Always disconnect the heater from the electricity supply and allow it to cool before installation.
3. Keep the supply cord away from the body of the heater which will get hot during use.
4. If the heater is to be used outside, a weatherproof outlet is recommended.
5. Fasten the heater securely on the baseplate using the screws supplied.
6. For both horizontal and vertical mounting on the wall, there must be a min. distance of 0.4m/15.8" between the appliance and the ceiling.
7. The distance from your appliance from the corners should be min. 0.4m/15.8" for vertical use and min. 0.5m/19.7" for horizontal use.
8. When installed to the ceiling, there must be a distance of 0.5m/19.7" between corners and the appliance.
9. We recommend keeping a minimum clearance from the heating unit at 3 feet / 0.9 meters.
10. The distance from the front side of the heater to materials such as wood, carton, cloth etc., must be min 1m/39.4".
11. When mounting horizontally or to a ceiling, do not position the heater at an angle more than 90° and less than 45° .
12. The supply cable must be at the lower end of the heater if the heater is installed at an angle or vertically.
13. Do not install the heater on an inflammable surface.
14. Observe the minimum safe distance between the heater body and the inflammable surfaces when mounted.
15. The heater should always have a minimum clearance of 0.5m/19.7" from the adjacent wall.
16. The heater must be installed on the mounting brackets provided.
17. Fasten the brackets securely to the mounting surface and the backside of the heater using the nuts and screws supplied.
18. The brackets can be used to adjust the direction of the heater, adjust the heater angle by loosening the two bolts on the wall mounting bracket, tighten the bolts again when the desired angle is reached.

ASSEMBLY & INSTALLATION INSTRUCTION (WALL MOUNTED)

1

L-Shaped Bracket Installation

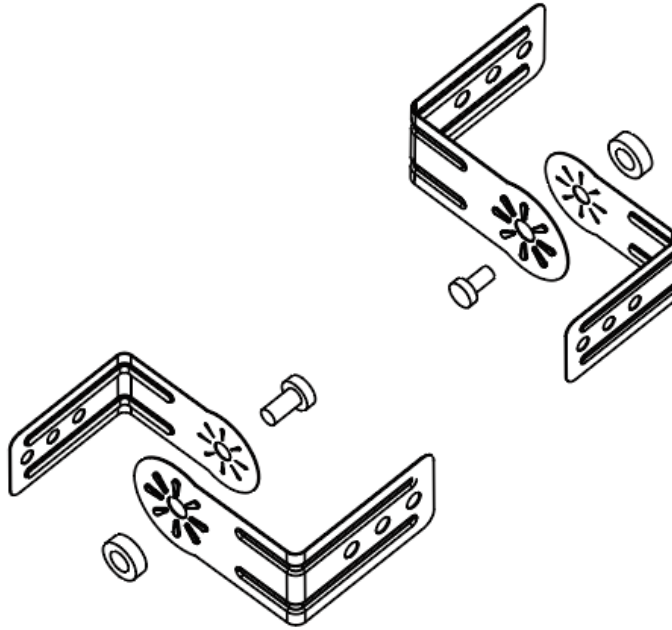
- Fasten the L-shaped brackets (1) using 2 pieces of M6mm x 12mm screws (5) and 2 pieces of M6mm nuts (4).



M6mm x 12mm Screw
Qty: 2 pcs

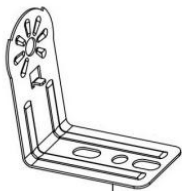


M6mm Nut
Qty: 2 pcs

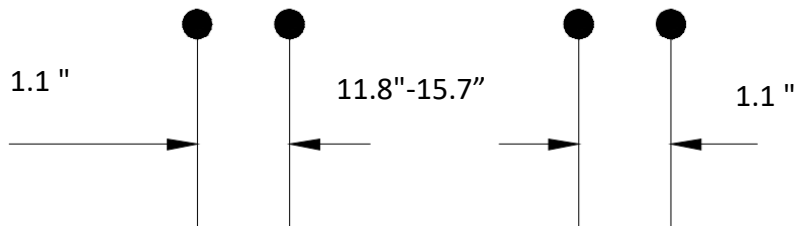


2

- With a pencil, mark the hole locations on the wall where the heater will be mounted according to measurements below. The L-shaped brackets (1) can also be used as templates to mark the hole locations.



①

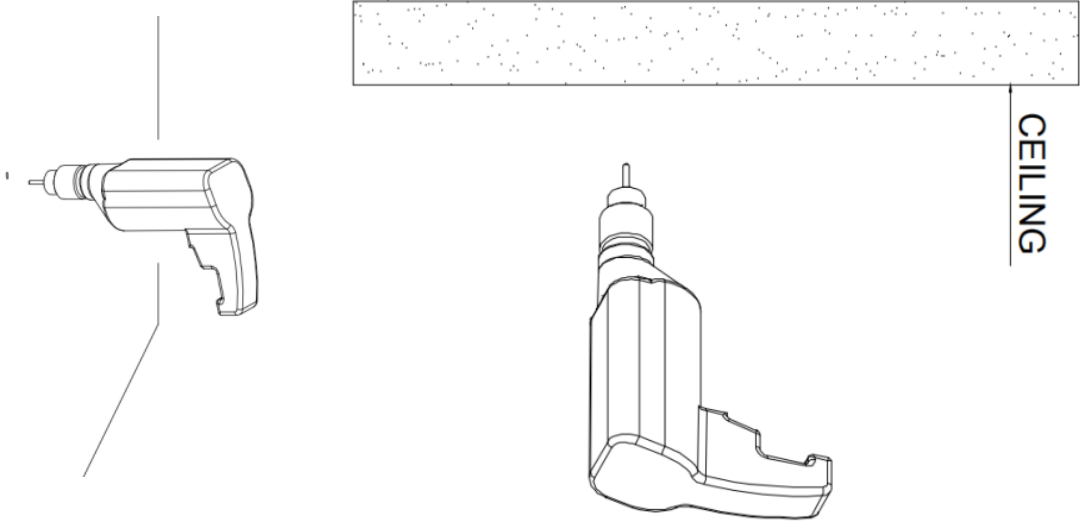


3

Plastic Anchor Installation

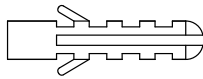
- Drill holes for the plastic anchors using a 1/8 - 5/32 in. drill bit.

WALL



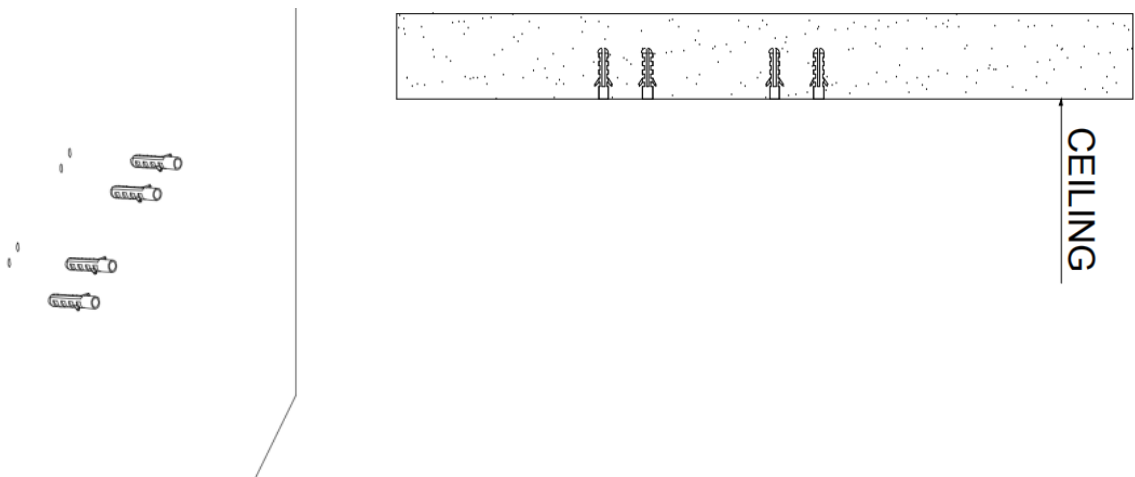
4

- Insert the point end of plastic anchor (2) into the holes. Tap the plastic anchor with a hammer until the plastic anchor is flush.



Plastic Anchor
Qty: 4 pcs

WALL

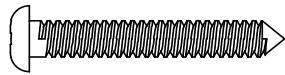


5

Mounting Bracket Installation

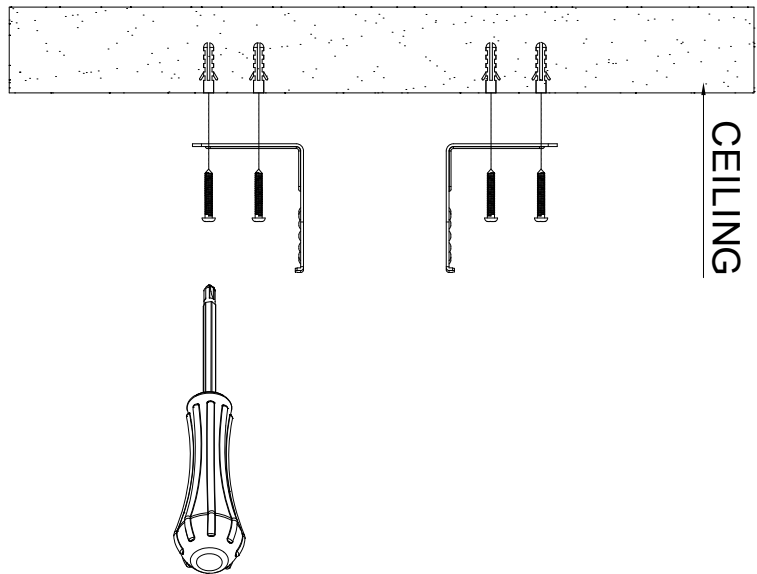
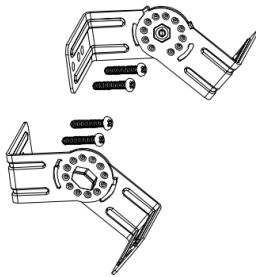
- Use 4 pieces of PA5mm x 25mm screws (3) to attach the mounting brackets to the wall, making sure they go into the plastic anchors, tighten them with the screwdriver.

Note: if the mounting surface is solid like wood, no need for plastic anchors.



PA5mm x 25mm Mounting Screw
Qty: 4 pcs

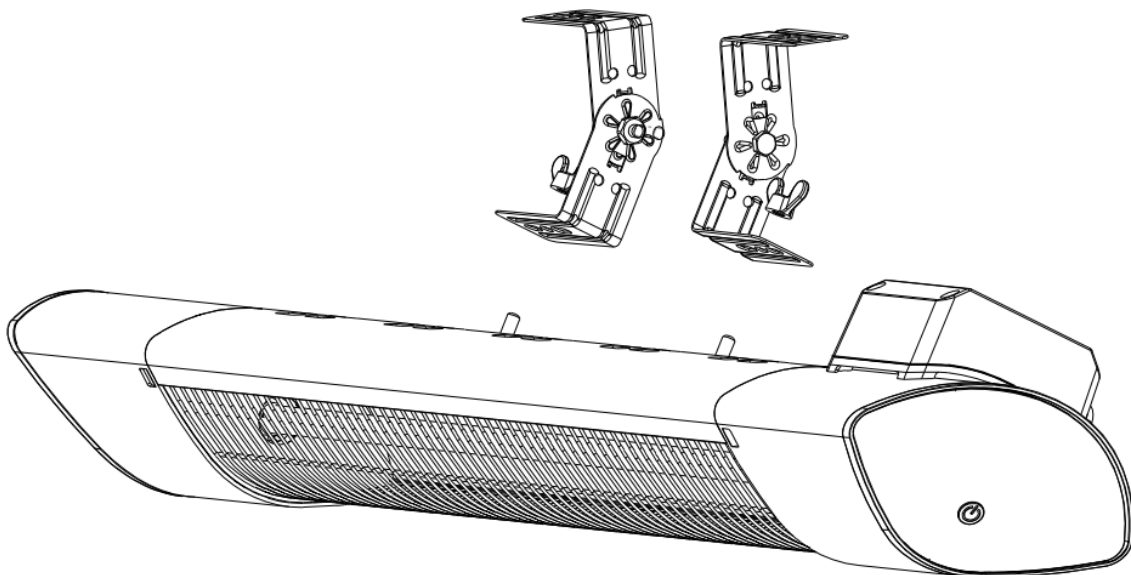
WALL



6

Heater Installation

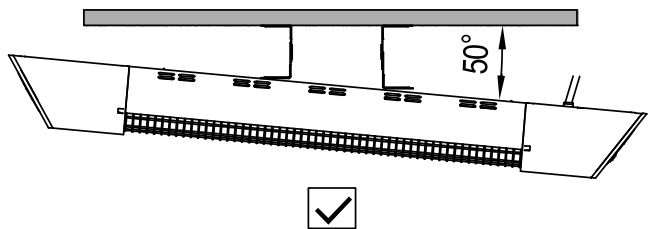
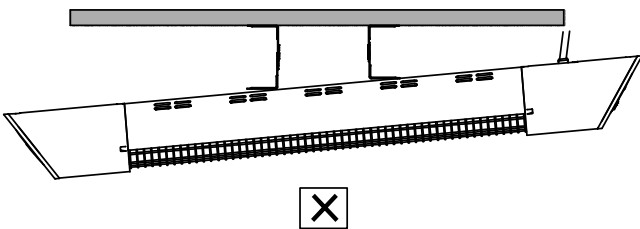
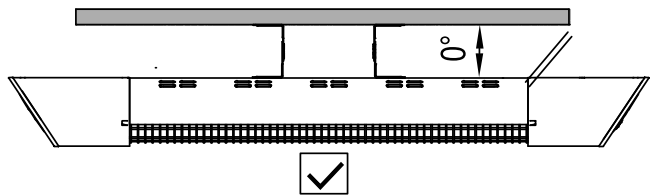
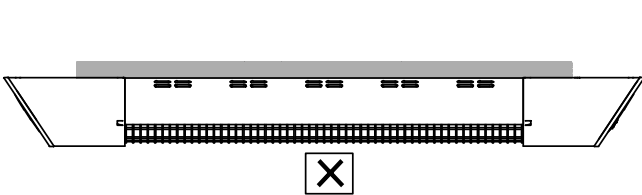
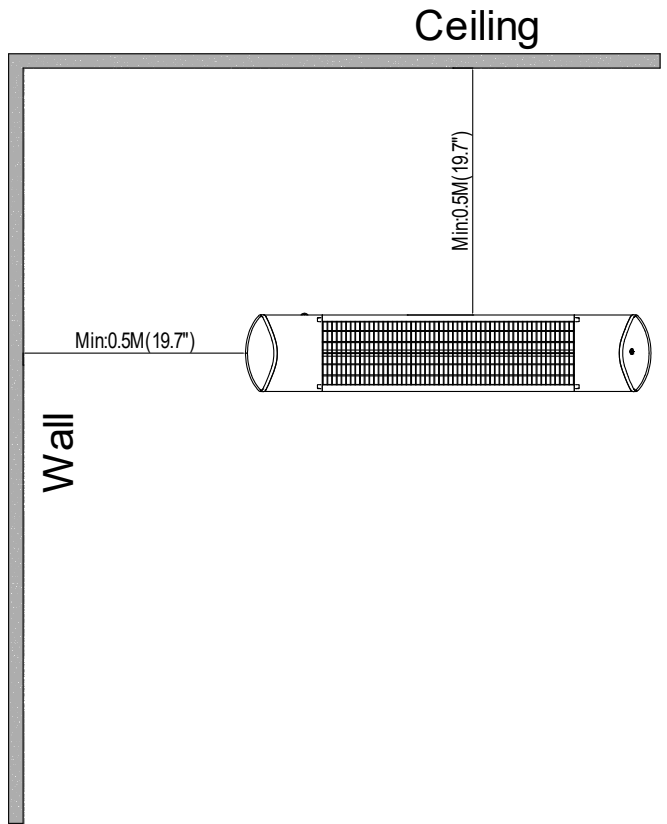
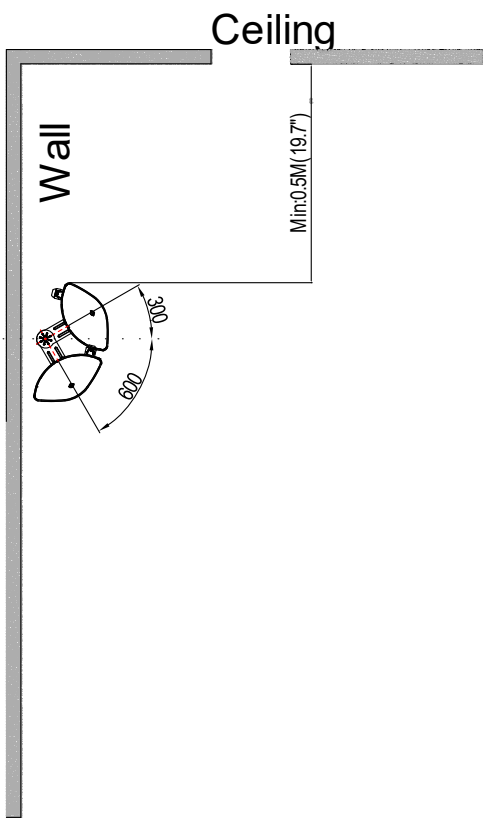
- With the help of a partner, fasten the heater to the L-shaped bracket using the pre-installed wing nuts on the back of the heater and hand tighten the wing nuts.



ASSEMBLY & INSTALLATION INSTRUCTION

The heater must be installed at least 2.4 m (8 ft) above the floor grade.

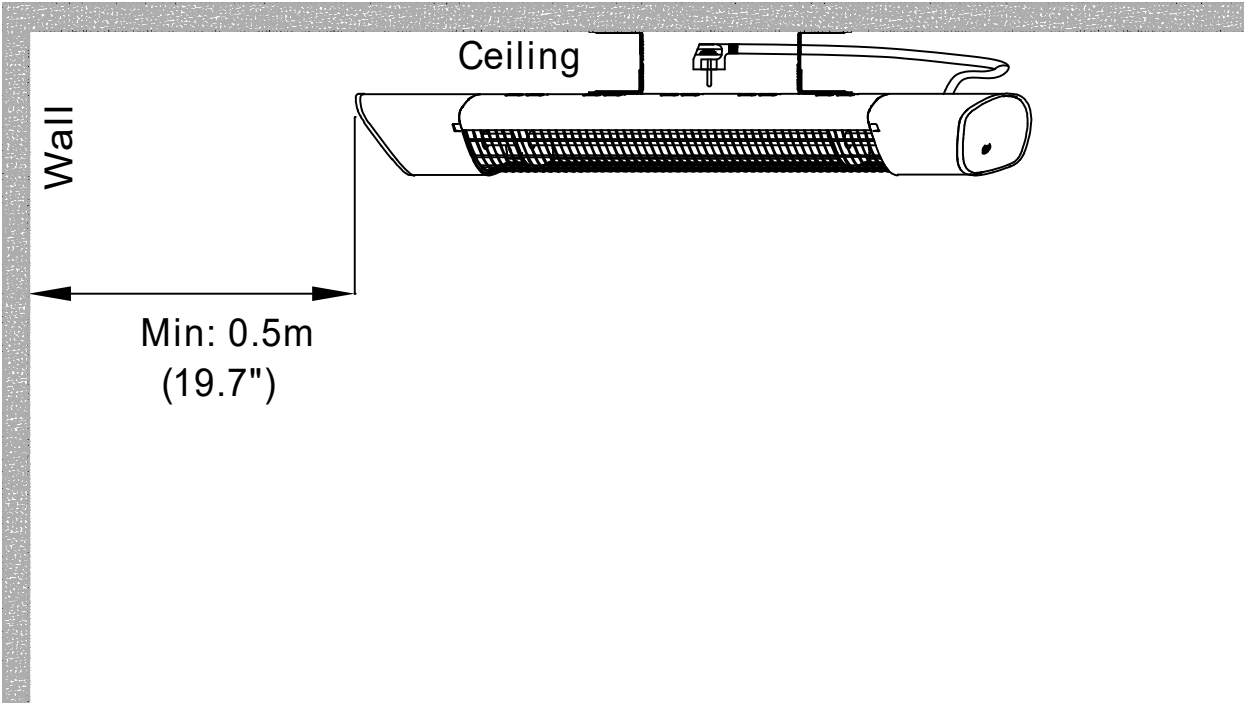
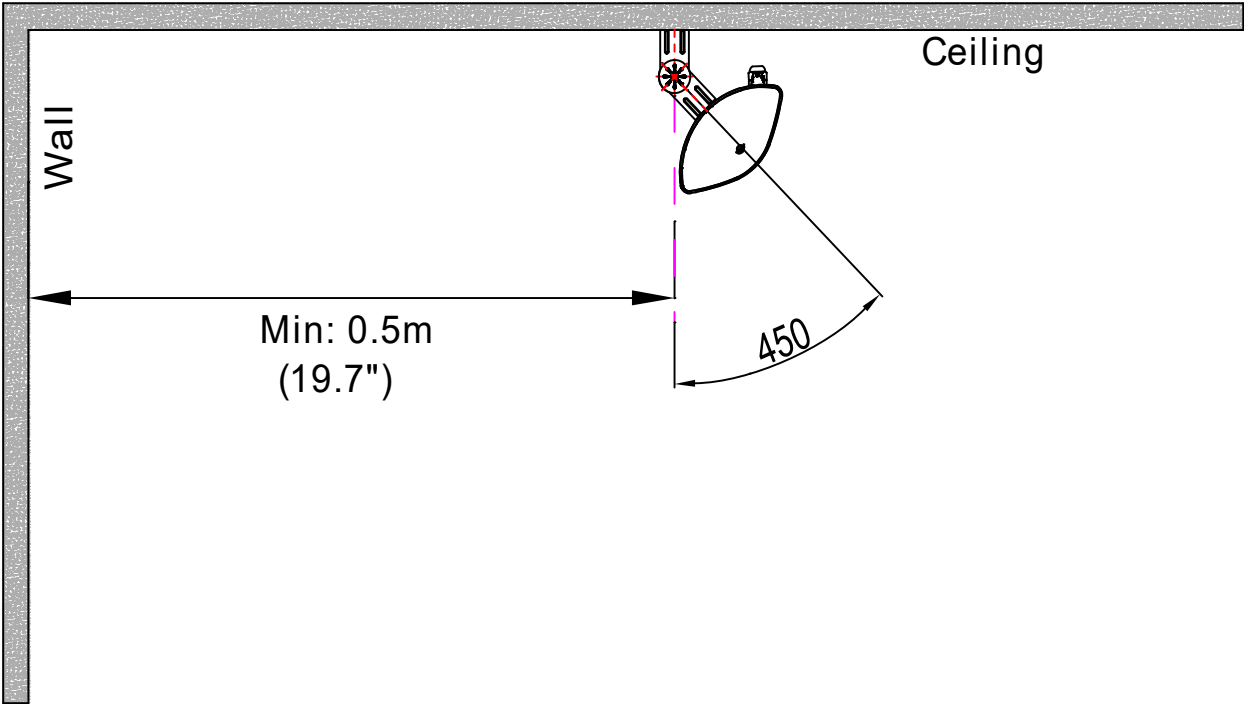
Attention: The cable should not pass through the heater.



ASSEMBLY & INSTALLATION INSTRUCTION

The heater must be installed at least 2.4 m (8 ft) above the floor grade.

Attention: The cable should not pass through the rear of the heater.



ASSEMBLY & INSTALLATION INSTRUCTION (TRIPOD MOUNTED)

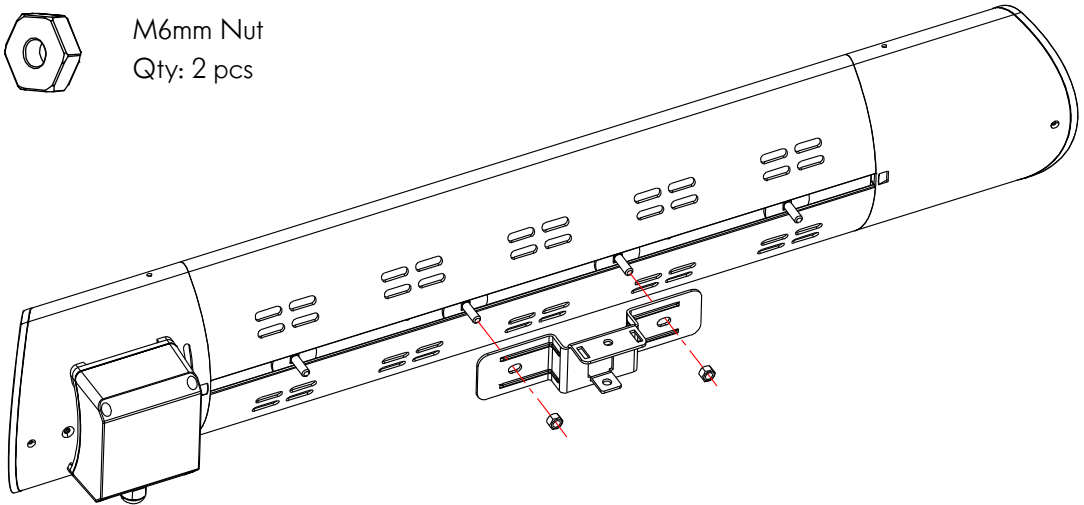
1

I-Shaped Bracket Installation

- Fasten the I-shaped bracket (E) to the back of the heater using 2 pieces of M6mm nuts (F), tighten them with a wrench.



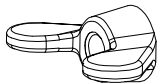
M6mm Nut
Qty: 2 pcs



2

Tripod Installation

- After extending the tripod to its full height, secure the tripod with a wing nut (A), plastic curved washer (D), and PM6mm x 44mm machine screw (C).



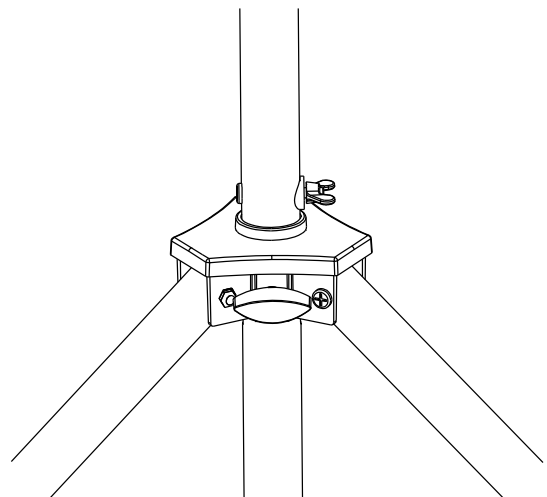
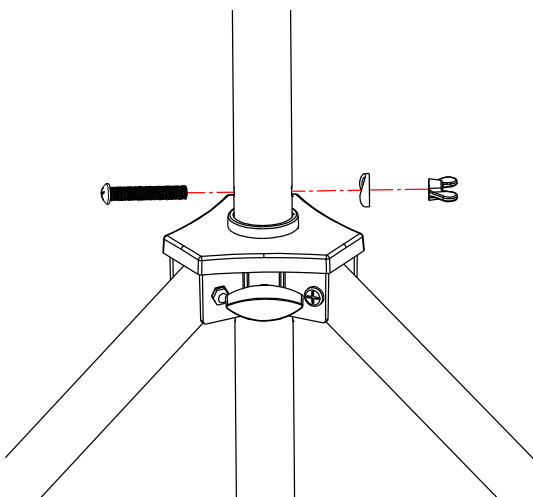
Wing Nut
Qty: 1 pc



Plastic Curved Washer
Qty: 1 pc



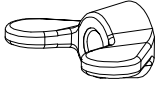
PM6mm x 44mm Machine Screw
Qty: 1 pc



3

Heater to Tripod Installation

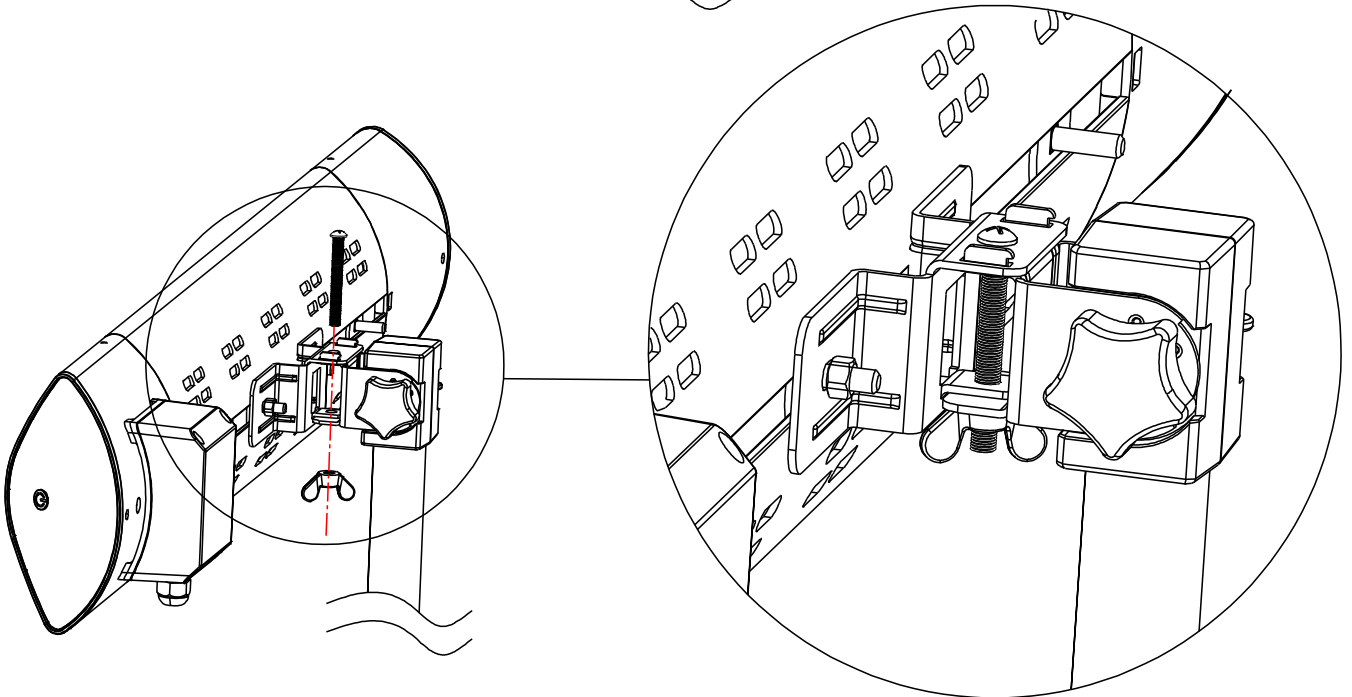
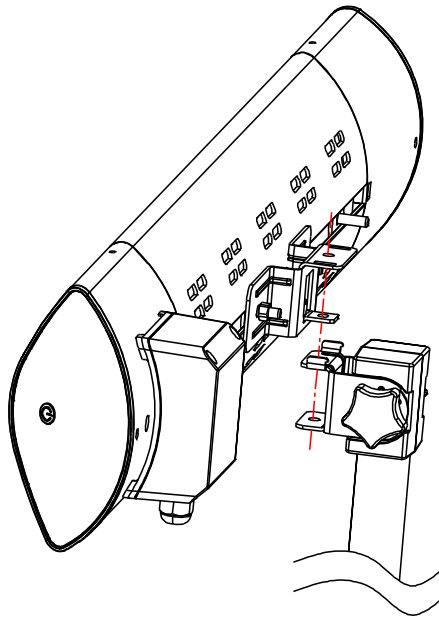
- With the help of a partner, attach the heater assembly to tripod stand using a PM6mm x 60mm machine screw (B) and a wing nut (A).



Wing Nut
Qty: 1 pc



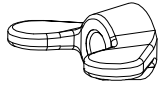
PM6mm x 60mm Machine Screw
Qty: 1 pc



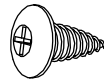
4

Tilt Protection Grid Installation

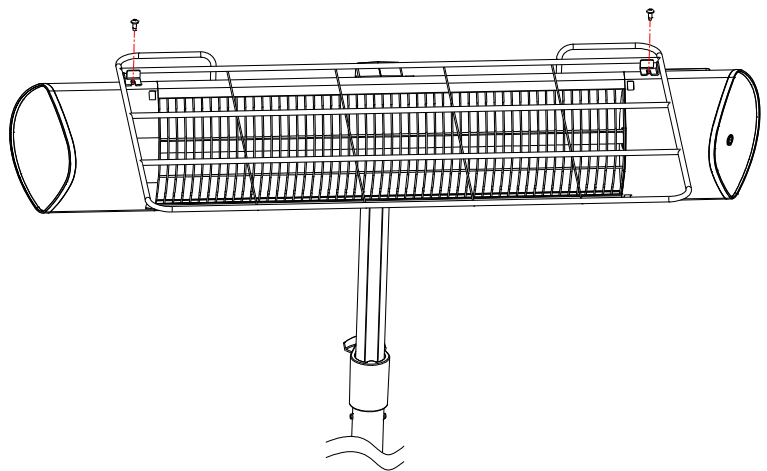
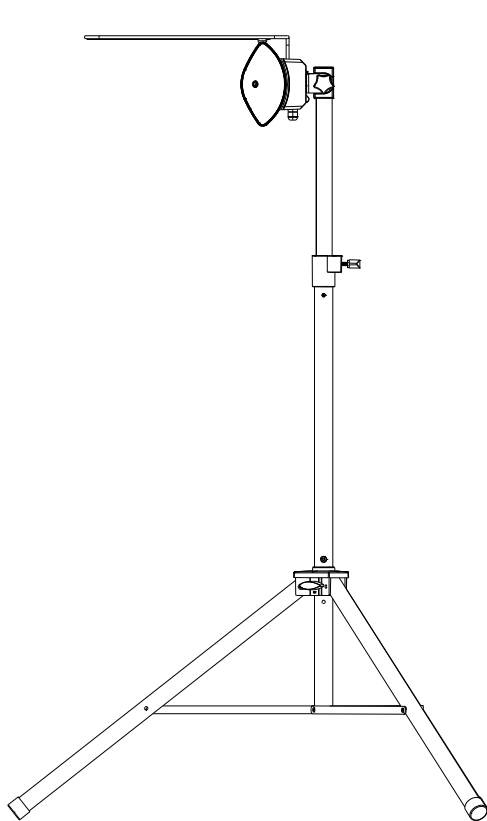
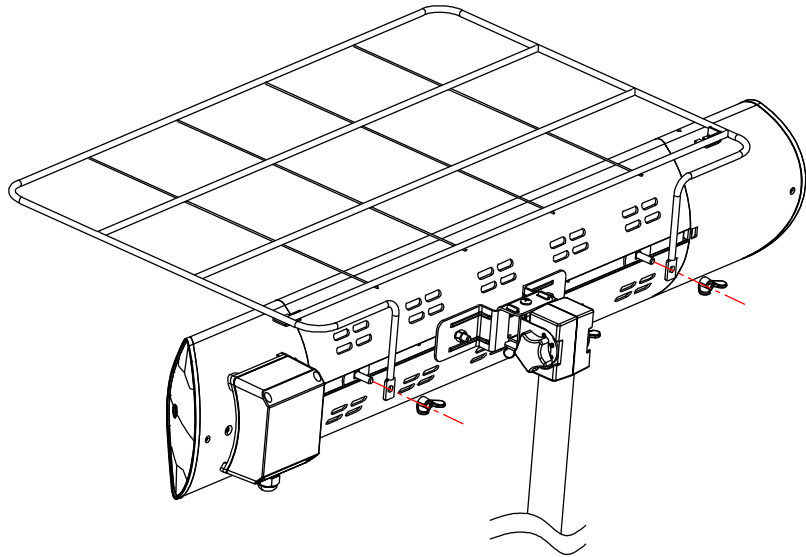
- **ATTENTION:** Tilt protection grid must be installed before plug-in.
- Use 2 pieces of wing nuts (A) and TMS screws (G) to attach the protection grid to the heater.



Wing Nut
Qty: 2 pcs



TMS Screw
Qty: 2 pcs





OPERATING INSTRUCTIONS

PRODUCT KEY FUNCTION

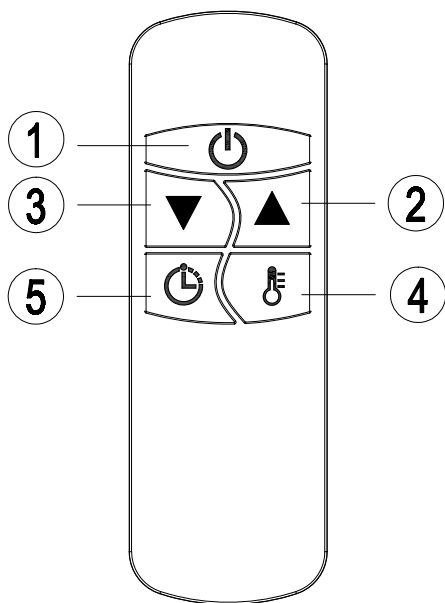
LED Display:

1. Turn on the power button, the product is in standby mode display (- -).
2. Press heating level button: Select the heating level (L1 - L2 - L3 - standby - off).
3. Press timer button: To set the timer from 0H - 24H, which is the number of hours it will run. 0H will display and then adjust to the number of hours you would like to set.
4. Error-over heat protection (E1).

Button switch:

1. Plug in the heater to an outlet.
2. Turn on the button switch  the product is in standby mode display (- -).
3. Adjust the heating level L1-L3 by repeatedly pressing the button switch .

REMOTE CONTROL INSTRUCTIONS



01. **POWER BUTTON:**
Turn the heater off.
02. **UP BUTTON:**
Increase timer or power level.
03. **DOWN BUTTON:**
Decrease timer or power level.
04. **LEVEL BUTTON:**
Use to adjust the heat levels (L1 – L3).
Press the Level button then use the up and down buttons (2 & 3) to increase or decrease the heating level.
05. **TIMER BUTTON:**
To set the timer from 0H - 24H, which is the number of hours it will run. 0H will display and then adjust to the number of hours you would like to set, using the up and down buttons (2 & 3).

OPERATING INSTRUCTIONS

INSERTING BATTERIES (not included)

Insert 2 AAA/ Alkaline type batteries into your remote control.

1. Flip the backside of your remote control and pull out the battery cover. Insert the batteries in accordance with the instructions and polarity of the batteries.
2. Change the batteries in the same way depicted above.

NOTICE:

1. Replace the old batteries with the same type batteries. Otherwise, your heater may not function well.
2. Pull out the batteries in case of long terms of disuse to prevent leakage which may impair your remote control.
3. Do not allow water or liquid to get into the remote control.

CAUTION:

When the appliance is not operated for a long period of time, cleaning or maintenance is conducted or when the location of the heater is changed, the heater should be turned to OFF and unplugged from the electrical connection.


Periodic inspection and removal of dirt and contaminants will ensure that equipment can be operated safely.

TROUBLESHOOTING

TROUBLESHOOTING

1. Check if the power cord is plugged into an electrical outlet; if not, plug in.
2. Check if electricity to the main fuse is working.
3. Error code shows on display:

E1 Error on display: Control unit overheat. Check installation clearances.

- a) Pull the plug out.
- b) Wait for 1 hour until the heater is cooled down.
- c) Put the plug in and press the button  to restart the heater.

Note: The thermostat device takes action to automatically turn off the heater when the unit overheats. Cool down the heater after 1 hour and re-start the heater.

E2 Error on display: Tip over function. Make sure that the unit is leveled and restart heater.

L1,2,3 shows in display, but no heat: Bulb is damaged. Please contact customer service.

1-888-287-0735 M-F 8:00-5:00 PST

or visit www.kenmoreheaters.com

ATTENTION:

1. Always disconnect the heater from the electricity supply and allow it to cool before attempting to work on it.
2. If the heater has collected dust or dirt inside the unit or around the heating element, have to unit cleaned by a qualified service agent. Do not operate the heater in this condition.
3. The only maintenance required is cleaning of the external surfaces of the heater.
4. Do not touch the heating element with bare fingers, as residue from your hand could affect the life of the lamp. If it is accidentally touched, remove the finger marks with a soft cloth moistened with mentholated spirit or alcohol. Allow to fully dry before operating.
5. Do not attempt to repair or adjust any electrical or mechanical functions on this heater.
6. The heater contains no user serviceable parts. Should the product suffer damage or breakdown, it must be returned to the manufacturer or its service agent.
7. Damaged supply cords to be replaced by the manufacturer, service agent or similarly qualified person in order to avoid hazard.

CLEANING & MAINTENANCE

MAINTENANCE

ATTENTION: Careful and regular maintenance is important to insure long term efficient operation of this appliance.

1. Check the cleanliness of the Reflector and IR-Filament at least once a month. If necessary, apply cleaning and maintenance instructions” to “see cleaning instructions below.
2. The number of checks may be increased considering the amount of the dust in the environment.
3. Check the deformation of the Reflector, Wire and Frame visually while cleaning the appliance. In case of deformation, consult local service technical.
4. Check the Power Cord and Plug visually while cleaning the appliance. In case of deformation, consult to your technical service.

CLEANING

Regular and careful cleaning helps your infrared heater operate efficiently for many trouble-free years. To clean your heater follow steps below:

1. Unplug the power cord for your safety before cleaning your appliance.
2. Make sure the heater is cool before continuing.
3. To keep the heater clean, the outer shell maybe cleaned with a soft, damp cloth. You may use a mild detergent if necessary. After cleaning, dry the unit with a soft cloth. (CAUTION: DO NOT let liquids enter the heater).
4. DO NOT use alcohol, gasoline, abrasive powders, furniture polish or rough brushes to clean the heater. This may cause damage or deterioration to the surface of the heater.
5. DO NOT immerse the heater in water.
6. Wait until the heater is completely dry before use.

RECYCLING

At the end of the electrical products useful life it should not be disposed of with household waste. Please recycle where facilities exist. Check with your Local Authority or retailer for recycling advice in your country.

TABLA DE CONTENIDO

La garantía del product	27
Instrucciones de seguridad importantes	28-29
Especificaciones del product	30
Advertencia Colocación incorrecta	31-33
Lista de partes	34-36
Instrucciones de montaje e instalación	37-45
Instrucciones de operación	46-47
Solución de problemas	48
Limpieza y mantenimiento	49

	ADVERTENCIA	
<p>PROPUESTA DE CALIFORNIA: Los subproductos de combustión producidos al usar esto contienen sustancias químicas que el estado de California reconoce como causantes de cáncer, defectos de nacimiento y otros daños reproductivos. Para obtener más información, visite www.P65Warnings.ca.gov</p> <p><u>Lávese las manos después de manipular este producto.</u></p>		

GARANTÍA

GARANTÍA LIMITADA

CON PRUEBA DE VENTA: la siguiente cobertura de garantía se aplica cuando este electrodoméstico se instala, opera y mantiene correctamente de acuerdo con todas las instrucciones proporcionadas. Nota: el consumidor es responsable del envío y manejo de todas las piezas de repuesto en garantía.

DURANTE UN (1) AÑO A PARTIR DE LA FECHA DE COMPRA ORIGINAL: a partir de la fecha de venta, este calentador está garantizado contra defectos de material o mano de obra, el consumidor recibirá piezas de repuesto gratis con el comprobante de compra, el consumidor es responsable de los costos de envío y manejo.

Toda la cobertura de la garantía excluye la pérdida de pintura, la decoloración o la oxidación de la superficie, que son piezas consumibles que pueden desgastarse por el uso normal dentro del período de garantía, o son condiciones que pueden ser el resultado del uso normal, un accidente o un mantenimiento inadecuado.

Toda la cobertura de la garantía queda anulada si este electrodoméstico alguna vez se usa para fines que no sean domésticos privados. Para obtener detalles sobre la cobertura de la garantía o para obtener piezas de repuesto, visite la página web: Kenmoreheaters.com

Esta garantía cubre ÚNICAMENTE defectos de material y mano de obra, y NO pagará por:

1. Artículos consumibles que pueden desgastarse por el uso normal dentro del período de garantía, incluidos, entre otros, revestimientos o acabados de superficies.
2. Un técnico de servicio para limpiar o mantener este electrodoméstico, o para instruir al usuario en la instalación, operación y mantenimiento correctos del electrodoméstico.
3. Llamadas de servicio para corregir la instalación de electrodomésticos que no hayan sido realizadas por agentes de servicio autorizados de Permasteel, o para reparar problemas con los fusibles, los interruptores automáticos y el cableado de la casa.
4. Daño o falla de este electrodoméstico, incluida la decoloración u oxidación de la superficie, si no se opera y mantiene correctamente de acuerdo con todas las instrucciones proporcionadas.
5. Daños o fallas de este electrodoméstico, incluida la decoloración u oxidación de la superficie, causados por el uso de detergentes, limpiadores, productos químicos o utensilios distintos a los recomendados en todas las instrucciones proporcionadas con el producto.
6. Daños o fallas de este electrodoméstico como resultado de una catástrofe natural o de otro tipo, como una inundación, un incendio o una tormenta.
7. Daño o falla de partes o sistemas como resultado de modificaciones no autorizadas hechas a este aparato.
8. Servicio a un electrodoméstico si el modelo y la placa de serie faltan, están alterados o no se puede determinar fácilmente que tengan el logotipo de certificación apropiado.

Renuncia de garantías implícitas; limitación de remedios

El único y exclusivo recurso del cliente bajo esta garantía limitada serán las piezas de repuesto del producto según lo dispuesto en este documento. Las garantías implícitas, incluidas las garantías de comerciabilidad o idoneidad para un propósito particular, están limitadas a 1 año en el calentador. El vendedor no será responsable por daños incidentales o consecuentes. Algunos estados y provincias no permiten la exclusión o limitación de daños incidentales o consecuentes, o la limitación de la duración de las garantías implícitas de comerciabilidad o idoneidad, por lo que es posible que estas exclusiones o limitaciones no se apliquen en su caso.

Esta garantía le otorga derechos legales específicos y también puede tener otros derechos que varían de un estado a otro.

La marca Kenmore se utiliza bajo licencia. Dirija todos los reclamos por el servicio de garantía al: 1-888-287-0735.

Exclusiones para uso comercial.

Permasteel Inc, Pomona, CA 91768.

INSTRUCCIONES DE SEGURIDAD IMPORTANTES

ADVERTENCIA

ESTAS INSTRUCCIONES DEBEN LEERSE DETENIDAMENTE Y CONSERVARSE PARA FUTURAS CONSULTAS.

No podemos ser responsables de ningún daño causado por el incumplimiento de estas instrucciones.

LEA CUIDADOSAMENTE – Este calentador de infrarrojos ha sido diseñado para una segura operación. Sin embargo, si no está instalado, mantenido u operado correctamente, puede ser peligroso y causar lesiones. Para reducir el riesgo de incendio, descarga eléctrica o lesiones personales, por favor siga los procedimientos a continuación. Guarda estas instrucciones para uso futuro.

1. Lea todas las instrucciones antes de usar este calentador.
2. Retire la unidad de su embalaje y verifique que esté en buenas condiciones antes de usarla.
3. No permita que los niños jueguen con partes del empaque (como bolsas de plástico).
4. Verifique el voltaje doméstico para asegurarse de que coincida con la especificación nominal del calentador.
5. Verifique el cable de alimentación y el enchufe con cuidado antes de usarlos, para asegurarse de que no estén dañados.
6. Antes de desenchufar el cable de alimentación, asegúrese de desconectar la alimentación. Al encender el calentador, asegúrese de que sus manos estén secas para evitar descargas eléctricas.
7. Este calentador está caliente cuando está en uso. Para evitar quemaduras, no permita que la piel desnuda toque superficies calientes. Si se proporcionan, utilice las manijas cuando mueva este calentador. Mantenga los materiales combustibles, como muebles, almohadas, ropa de cama, papeles, ropa y cortinas a una distancia mínima de 0,9 m (3 pies) de la parte delantera del calefactor y manténgalos alejados de los lados y la parte trasera.
8. Es necesario extremar las precauciones cuando el calentador está se utiliza cerca de los niños.
9. No deje el calentador desatendido por mucho tiempo períodos de tiempo durante su funcionamiento.
10. Para protegerse contra descargas eléctricas, no sumerja el cable ni enchufe en agua ni en ningún otro líquido.
11. No inserte ni permita que entren objetos extraños en ninguna abertura de ventilación o escape, ya que esto puede causar una descarga eléctrica, un incendio o daños al calentador.
12. Siempre desenchufe el calentador cuando no esté en uso.
13. Conéctelo únicamente a tomacorrientes debidamente conectados a tierra.
14. Enchufe siempre los calentadores directamente en un tomacorriente/receptáculo de pared. Nunca lo use con un cable de extensión o toma de corriente reubicable (tomacorriente/regleta).
15. No permita que el cable sobresalga de la encimera donde los niños puedan tirar de él fácilmente.
16. No introduzca los dedos ni objetos extraños en el calentador mientras está en funcionamiento.
17. No deje el aparato desatendido cuando esté en uso.
18. Este calentador no está diseñado para usarse en baños, lavanderías y lugares interiores similares. Nunca coloque el calentador donde pueda caer en una bañera u otro recipiente de agua.
19. No se aceptará ninguna responsabilidad por los daños causados por el incumplimiento de estas instrucciones o cualquier otro uso o manejo inadecuado.
20. Este electrodoméstico no está diseñado para que lo usen personas (incluidos los niños) con capacidades físicas, sensoriales o mentales reducidas o falta de experiencia y conocimiento, a menos que hayan recibido supervisión o instrucciones" a "a menos que estén supervisados o reciban instrucciones sobre el uso del aparato por una persona responsable de su seguridad. Los niños y las personas vulnerables deben ser supervisados para asegurarse de que no jueguen con el aparato.
21. Use este calentador solo como se describe en este manual. Cualquier otro uso no recomendado por el fabricante puede provocar incendios, descargas eléctricas o lesiones a las personas.

INSTRUCCIONES DE SEGURIDAD IMPORTANTES

22. No opere ningún calefactor con un cable o enchufe dañado o si el calefactor funciona mal, se ha caído o dañado de alguna manera. Desconecte la alimentación del panel de servicio y haga que un electricista acreditado inspeccione el calentador antes de volver a utilizarlo. Si tiene alguna razón para creer que el cable eléctrico o el enchufe de su calentador están dañados, no intente operar el calentador. Del mismo modo, si el calefactor se ha caído o dañado de alguna manera, desconéctelo inmediatamente y haga que un profesional lo inspeccione antes de volver a usarlo. La operación de una unidad dañada o que funciona mal es extremadamente peligrosa y podría provocar un incendio o lesiones graves.
23. No pase el cable por debajo de alfombras. No cubra el cable con alfombras, tapetes o cubiertas similares. No pase el cable por debajo de muebles o electrodomésticos. Coloque el cable lejos del área de tráfico y donde no pueda tropezarse con él.
24. Para desconectar el calentador, gire los controles a la posición de APAGADO y luego retire el enchufe del tomacorriente.
25. Para evitar el sobrecalentamiento de este electrodoméstico, mantenga las entradas y salidas de aire limpias y libres de cualquier cosa que pueda causar una obstrucción. Revise todas las entradas y salidas de vez en cuando para asegurarse de que estén libres de suciedad o acumulación de polvo. **NO CUBRIR.**
26. Un calentador tiene partes calientes y que forman arcos o chispas en su interior. No lo use en áreas donde se use o almacene gasolina, pintura o líquidos inflamables.
27. Algunas partes del calentador pueden superar los 200 ° C (392 ° F). El contacto con el tubo calefactor, el reflector o las partes metálicas cercanas al tubo calefactor puede causar **QUEMADURAS** graves. Para evitar quemaduras, no permita que la piel desnuda toque la superficie caliente.
28. **NUNCA** coloque las manos debajo de los elementos calefactores. **SIEMPRE** permita que el elemento calefactor se enfríe al menos 10 minutos antes de tocar el tubo calefactor o las piezas adyacentes.
29. Este producto contiene materiales reciclables. No deseche este producto como residuo municipal sin clasificar. Póngase en contacto con su municipio local para conocer el punto de recogida más cercano.



ADVERTENCIA



Recomendado principalmente para uso en interiores o exteriores protegidos únicamente. NO lo exponga a la lluvia ni a la humedad.

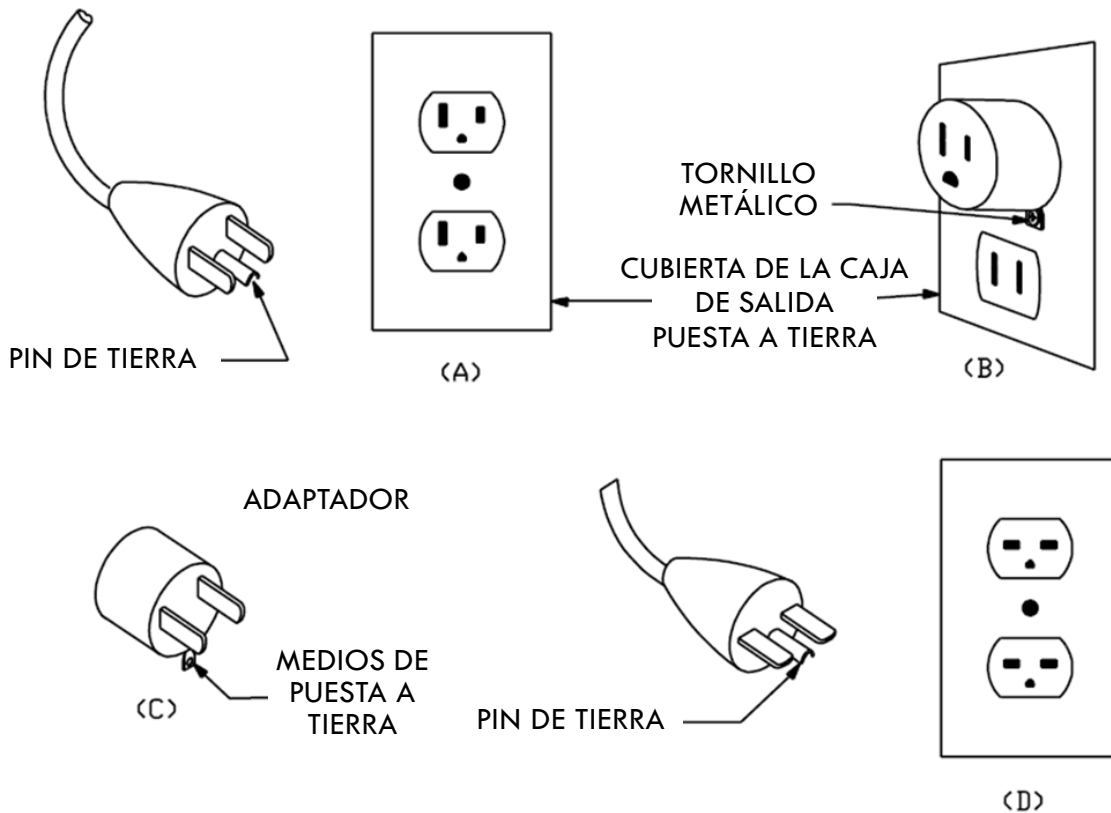
ESPECIFICACIONES DEL PRODUCTO

INTRODUCCIÓN

El calentador infrarrojo de carbón produce calor instantáneo y confortable como el sol. Estos calefactores robustos y resistentes a la intemperie están diseñados para aplicaciones de calefacción doméstica en áreas interiores y exteriores.

Modelo	KH-7E01-SSTP / KH-7E01-BKTP
Voltaje (V)	120V AC
Potencia (W)	1500
Hercios (Hz)	60
Dimensiones (An. x Al. x Pr.)	33.30 x 6.29 x 4.92 in 84.6 x 16 x 12.5 cm
Peso	6.17 lb. (2.8 kg)

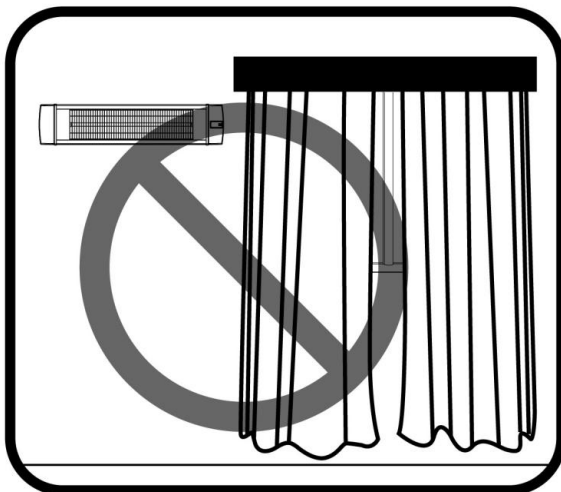
Este calentador es para usar con 120 voltios. El cable tiene un enchufe como se muestra en (A) en la Figura 68.1. Se encuentra disponible un adaptador como el que se muestra en (C) para conectar enchufes de tres patas con conexión a tierra a receptáculos de dos ranuras. La lengüeta de conexión a tierra verde que se extiende desde el adaptador debe estar conectada a una conexión a tierra permanente, como una caja de salida debidamente conectada a tierra. El adaptador no debe usarse si hay disponible un receptáculo con conexión a tierra de tres ranuras.



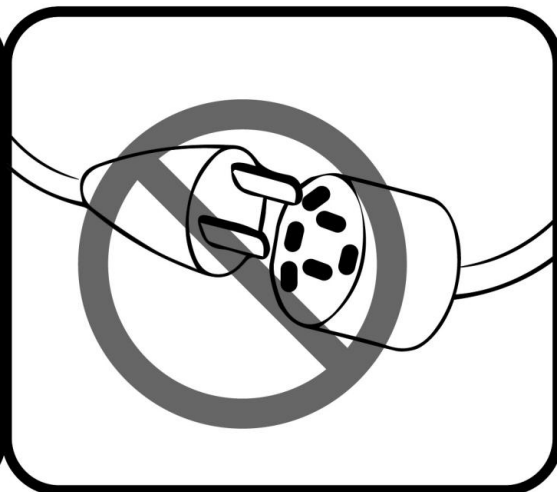
(Figura 68.1: Métodos de puesta a tierra)

ADVERTENCIA COLOCACIÓN INCORRECTA

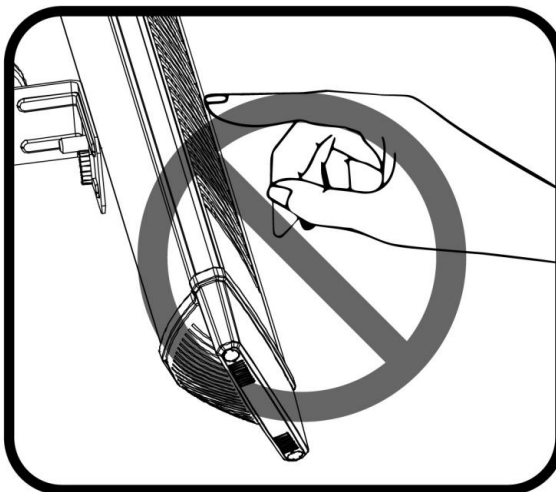
ADVERTENCIA: Para reducir el riesgo de incendio



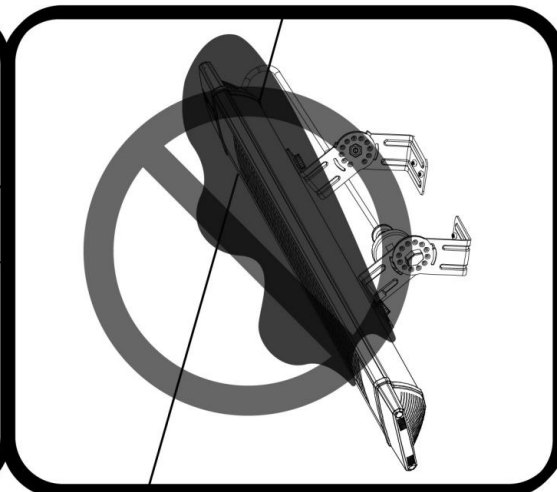
Precaución: Mantenga los materiales combustibles, como muebles, almohadas, cortinas a una distancia mínima de 3 pies (0,9 m) de la parte delantera del calefactor y manténgalos alejados de los lados y la parte trasera.



Precaución: NO lo use con un cable de extensión o toma de corriente reubicable (tomacorriente/regleta).



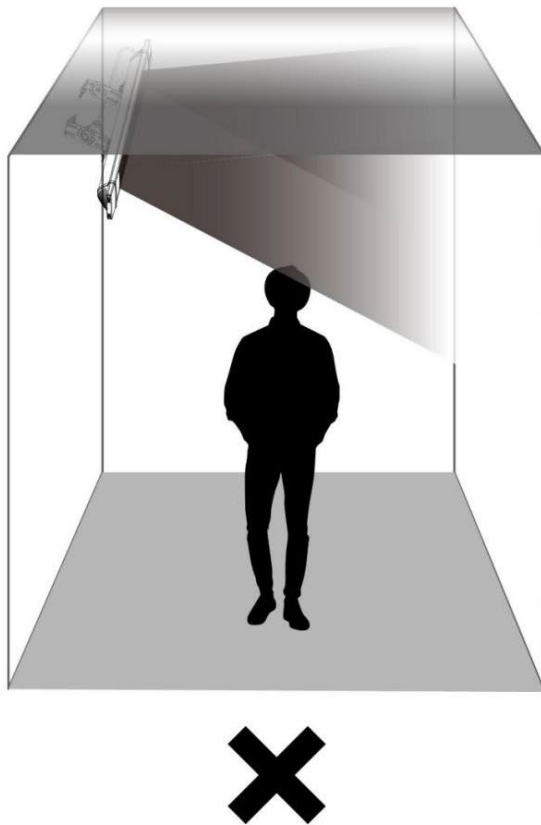
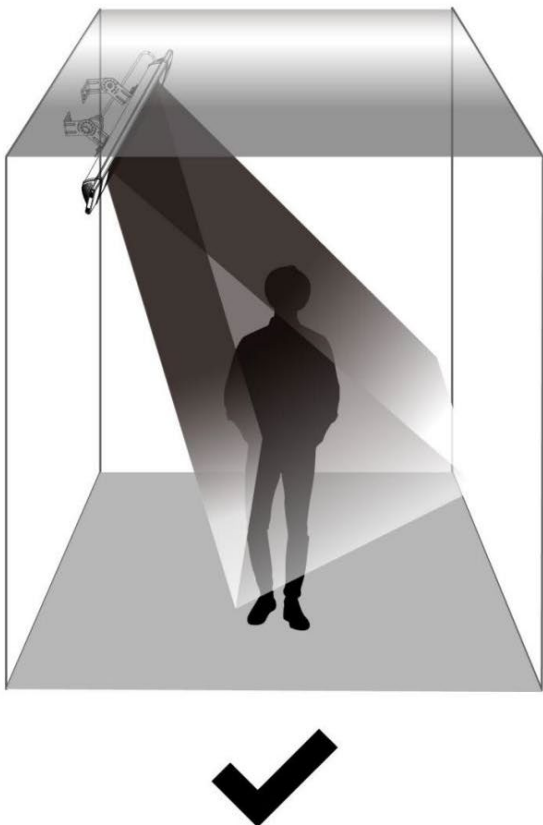
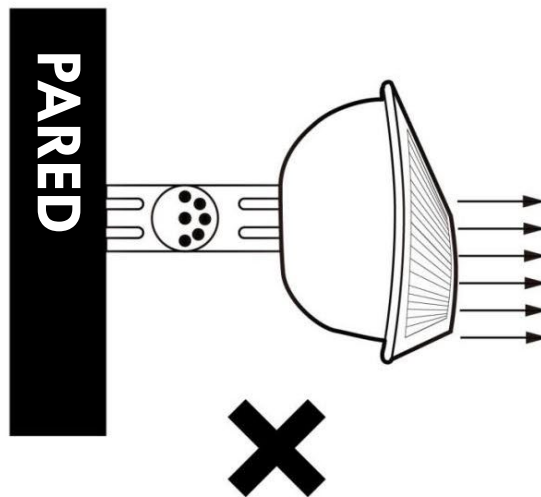
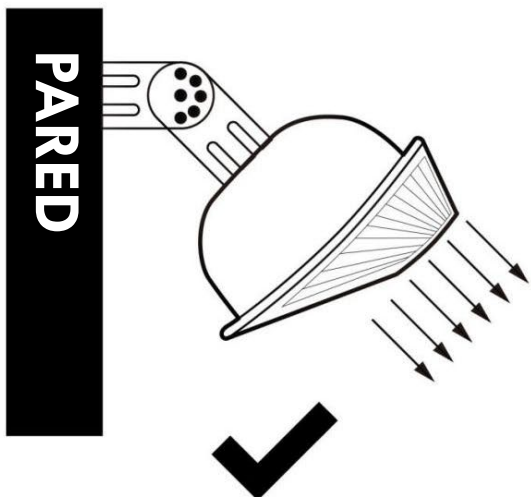
Precaución: Superficie caliente, no tocar.



Precaución: NO cubra el calentador con ningún objeto, como una manta.

ADVERTENCIA COLOCACIÓN INCORRECTA

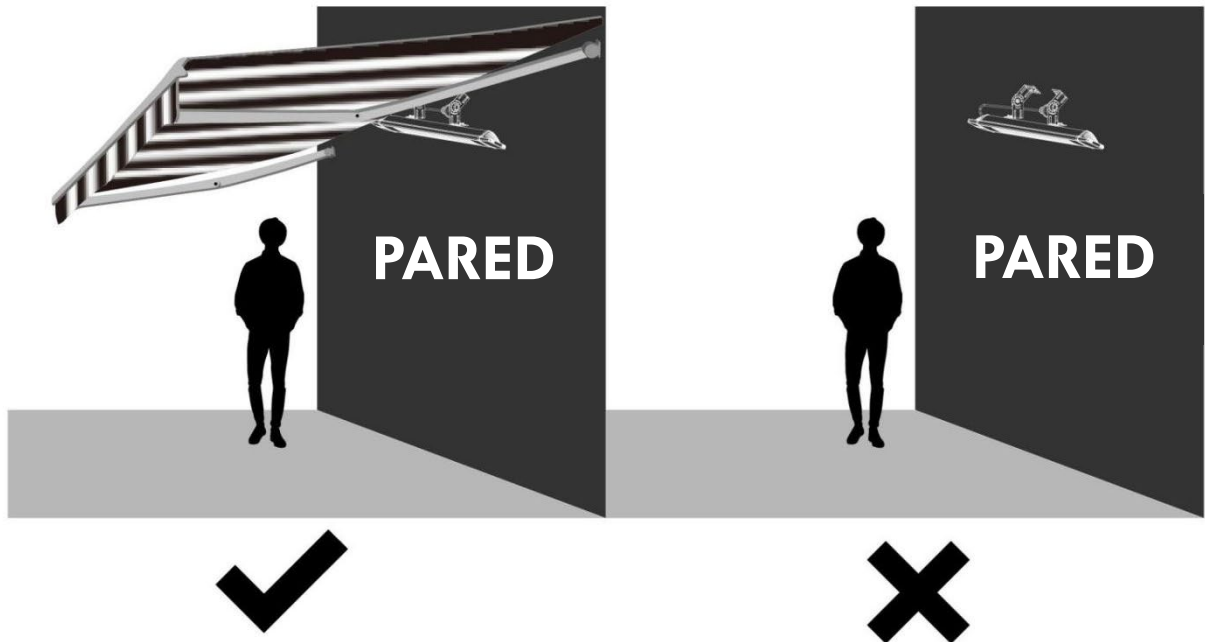
Posición de instalación correcta - 01



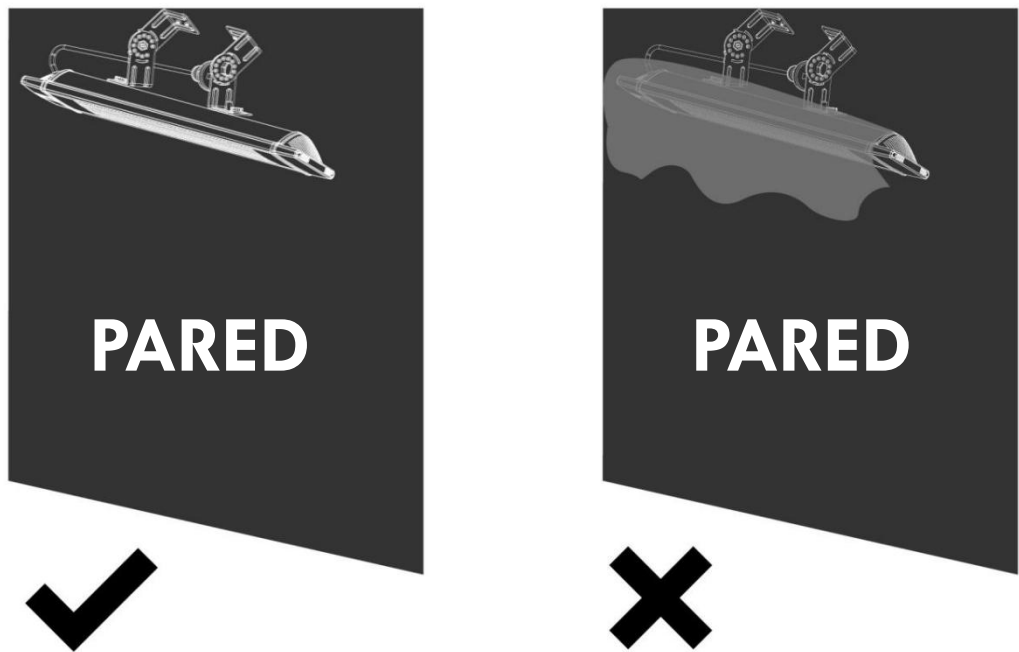
Nota: Ángulo montado con 30° - 45°

ADVERTENCIA COLOCACIÓN INCORRECTA

Posición de instalación correcta - 02



Nota: El calentador debe montarse en la pared o el techo debajo de ambientes protegidos por la pared, manténgase al menos a 0,9 m (3 pies) de distancia de cualquier objeto combustible.



Nota: No cubrir.

LISTA DE PARTES

Key	Descripción	Cant.	Número de parte
1	Calentador (SS)	1	KH-7E01-TP-01
2	Rejilla de protección contra inclinación	1	KH-7E01-TP-02
3	Trípode	1	KH-7E01-TP-03

Asegúrese de tener todas las piezas antes de comenzar el montaje.

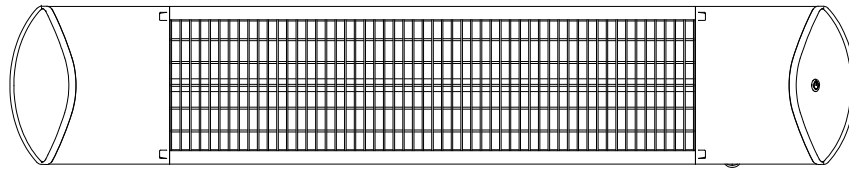
Si le falta hardware o tiene partes dañadas después de desempacar el calentador, llame al 1-888-287-0735.

O visítenos en Kenmoreheaters.com

No en la foto

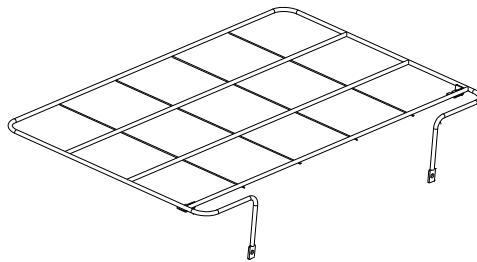
Manual	1	KH-7E01-TP-M
--------	---	--------------

1. Calentador



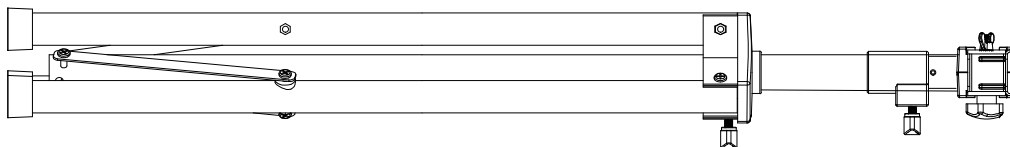
1 pz

2. Rejilla de protección contra inclinación



1 pz

3. Trípode

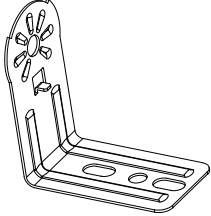

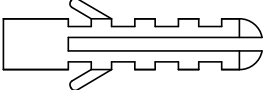
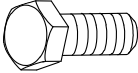



1 pz

LISTA DE PARTES

NOTA: Asegúrese de tener todas las piezas antes de comenzar el montaje.

HERRAJES DE INSTALACIÓN (MONTAJE EN PARED):

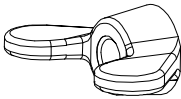
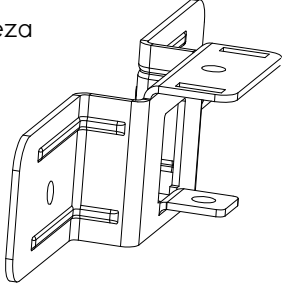
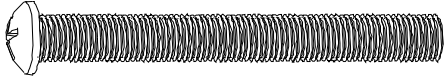

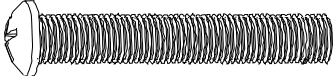
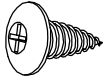
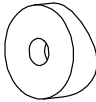
<p>1) Soporte en forma de L Cantidad: 4 piezas</p> 	<p>4) Tuerca M6 mm Cantidad: 2 piezas</p> 
<p>2) Anclaje de plástico Cantidad: 4 piezas</p> 	<p>5) Tornillo M6 mm x 12 mm Cantidad: 2 piezas</p> 
<p>3) Tornillo de montaje PA5 mm x 25 mm Cantidad: 4 piezas</p> 	

Si le falta hardware o tiene partes dañadas después de desempacar el calentador, llame al 1-888-287-0735. O visítenos en Kenmoreheaters.com

LISTA DE PARTES

NOTA: Asegúrese de tener todas las piezas antes de comenzar el montaje.

EQUIPO DE INSTALACIÓN (MONTADO EN TRÍPODE):

<p>A) Tuerca de mariposa Cantidad: 4 piezas</p> 	<p>E) Soporte en forma de I Cantidad: 1 pieza</p> 
<p>B) Tornillo de máquina PM6 mm x 60 mm Cantidad: 1 pieza</p> 	<p>F) Tuerca M6 mm Cantidad: 2 piezas</p> 
<p>C) Tornillo de máquina PM6 mm x 44 mm Cantidad: 1 pieza</p> 	<p>G) Tornillo TMS Cantidad: 2 piezas</p> 
<p>D) Arandela curva de plástico Cantidad: 1 pieza</p> 	

Si le falta hardware o tiene partes dañadas después de desempacar el calentador, llame al 1-888-287-0735. O visítenos en Kenmoreheaters.com

INSTRUCCIONES DE MONTAJE E INSTALACIÓN

HERRAMIENTAS NECESARIAS: (no provistas)

1. Lápiz
2. Martillo
3. Nivel
4. Destornillador
5. Taladro eléctrico y brocas

Se proporciona un soporte de montaje con el calentador que ha sido diseñado específicamente para permitir que este producto se instale en un techo o pared. Asegúrese de que no haya tuberías de agua o cables eléctricos antes de taladrar.

ATENCIÓN: El aparato debe instalarse sobre superficies sólidas como hormigón, madera o metal, etc.

Importante: Asegúrese de que el cable de alimentación esté bien montado y que no entre en contacto con el reflector del calentador o que no se arrastre hacia el área calentada, el cable de alimentación se puede fijar al soporte de montaje de metal detrás del calentador con bridas de plástico.

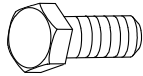
1. Este calentador debe ser instalado por una persona competente, es decir, un electricista calificado.
2. Siempre desconecte el calentador del suministro eléctrico y deje que se enfríe antes de la instalación.
3. Mantenga el cable de alimentación alejado del cuerpo del calefactor que se calentará durante el uso.
4. Si el calefactor se va a utilizar en el exterior, se recomienda un tomacorriente resistente a la intemperie.
5. Fije el calentador de forma segura en la placa base con los tornillos suministrados.
6. Tanto para el montaje horizontal como vertical en la pared, debe haber un mínimo. distancia de 0,4 m/15,8" entre el aparato y el techo.
7. La distancia de su electrodoméstico a las esquinas debe ser mín. 0,4 m/15,8" para uso vertical y mín. 0,5 m/19,7" para uso horizontal.
8. Cuando se instala en el techo, debe haber una distancia de 0,5 m/19,7" entre las esquinas y el aparato.
9. Recomendamos mantener una distancia mínima de 3 pies / 0,9 metros de la unidad de calefacción.
10. La distancia desde la parte delantera del calefactor a materiales como madera, cartón, tela, etc., debe ser de 1 m/39,4 como mínimo.
11. Cuando lo monte horizontalmente o en el techo, no coloque el calefactor en un ángulo de más de 90° y menos de 45° .
12. El cable de alimentación debe estar en el extremo inferior del calentador si el calentador está instalado en ángulo o verticalmente.
13. No instale el calefactor sobre una superficie inflamable.
14. Respete la distancia mínima segura entre el cuerpo del calentador y las superficies inflamables cuando esté montado.
15. El calefactor siempre debe tener una distancia mínima de 0,5 m/19,7" de la pared adyacente.
16. El calentador debe instalarse en los soportes de montaje provistos.
17. Fije los soportes de forma segura a la superficie de montaje y la parte trasera del calentador con las tuercas y tornillos suministrados.
18. Los soportes se pueden usar para ajustar la dirección del calefactor, ajuste el ángulo del calefactor aflojando los dos pernos del soporte de montaje en la pared, vuelva a apretar los pernos cuando alcance el ángulo deseado.

INSTRUCCIONES DE MONTAJE E INSTALACIÓN (MONTAJE EN PARED)

1

Instalación del soporte en forma de L

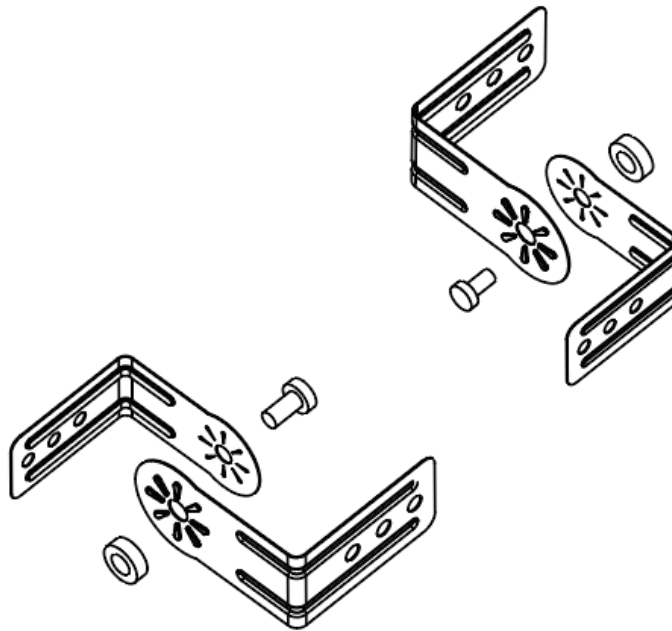
- Fije los soportes en forma de L (1) con 2 piezas de tornillos M6 mm x 12 mm (5) y 2 piezas de tuercas M6 mm (4).



Tornillo M6 mm x 12 mm
Cantidad: 2 piezas

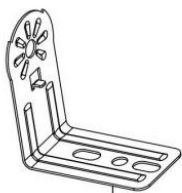


Tuerca M6 mm
Cantidad: 2 piezas

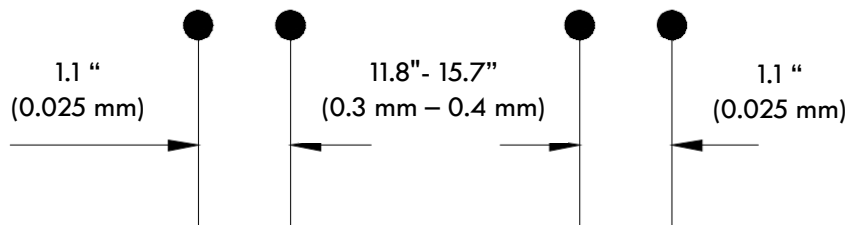


2

- Con un lápiz, marque las ubicaciones de los orificios en la pared donde se montará el calentador de acuerdo con las medidas a continuación. Los soportes en forma de L (1) también se pueden usar como plantillas para marcar las ubicaciones de los orificios.



①

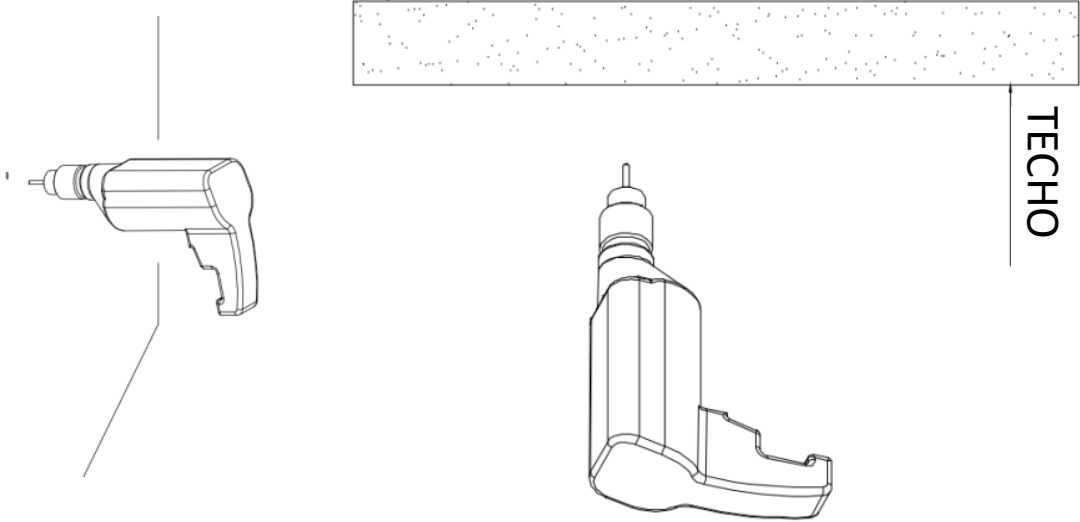


3

Instalación de anclaje de plástico

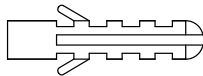
- Taladre orificios para los anclajes de plástico con una broca de 1/8 - 5/32 pulg.

PARED



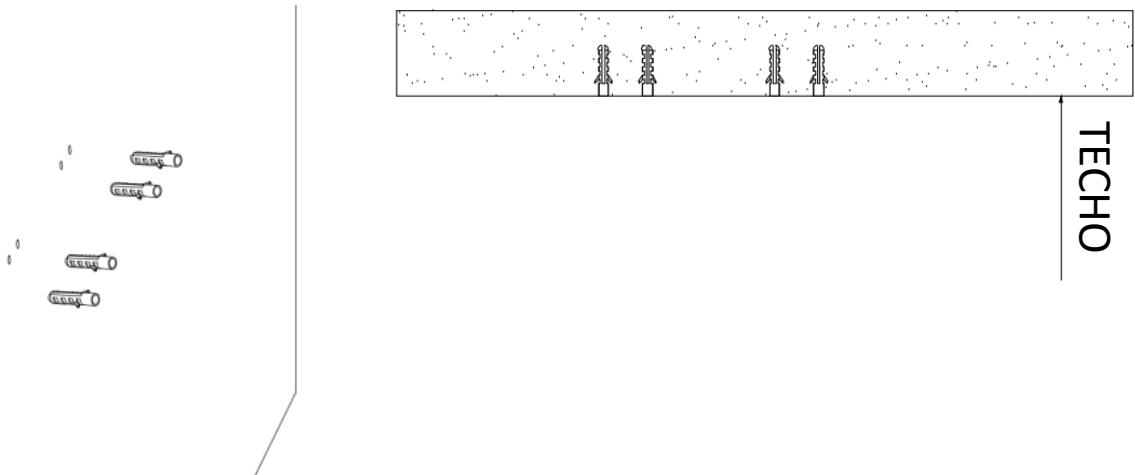
4

- Inserte el extremo en punta del anclaje de plástico (2) en los orificios. Golpee el anclaje de plástico con un martillo hasta que el anclaje de plástico quede al ras.



Anclaje de plástico
Cantidad: 4 piezas

PARED



5

Instalación del soporte de montaje

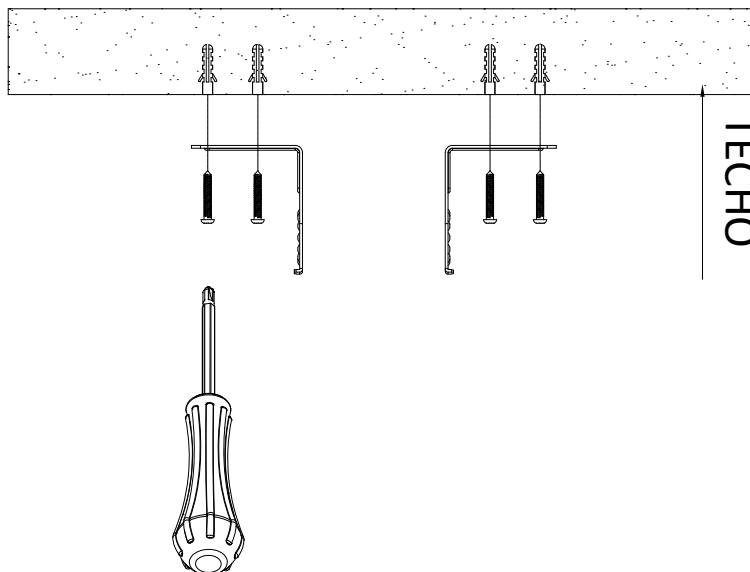
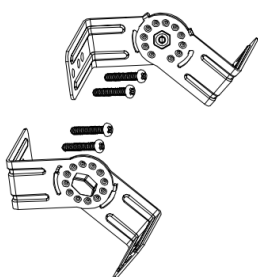
- Utilice 4 piezas de tornillos PA5 mm x 25 mm (3) para fijar los soportes de montaje a la pared, asegurándose de que entren en los anclajes de plástico, apriételos con el destornillador.

Nota: si la superficie de montaje es sólida como la madera, no se necesitan anclajes de plástico.



Tornillo de montaje PA5 mm x 25 mm
Cantidad: 4 piezas

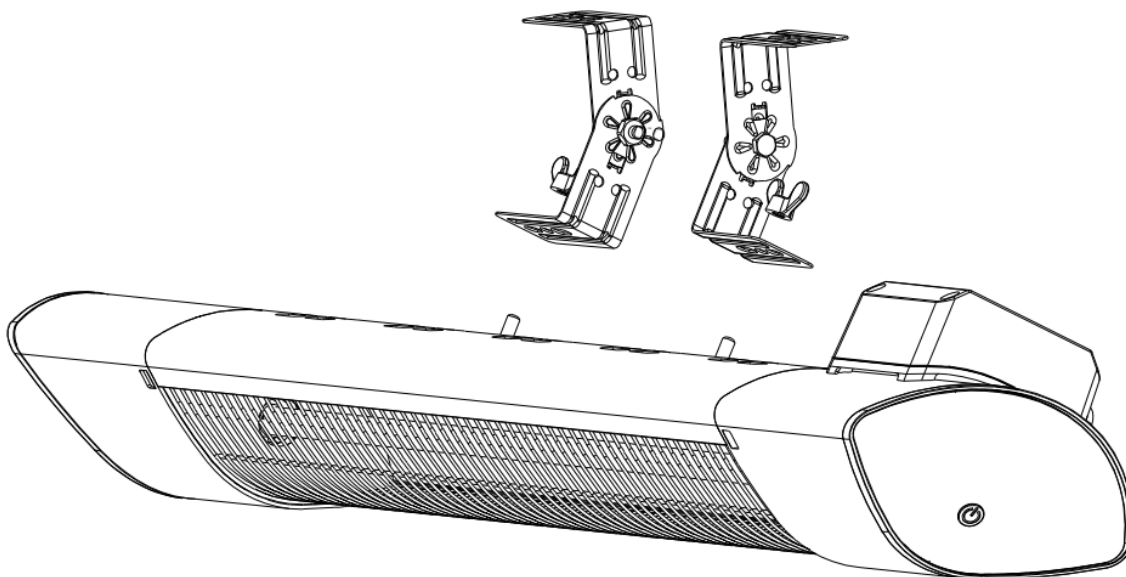
PARED



6

Instalación del calentador

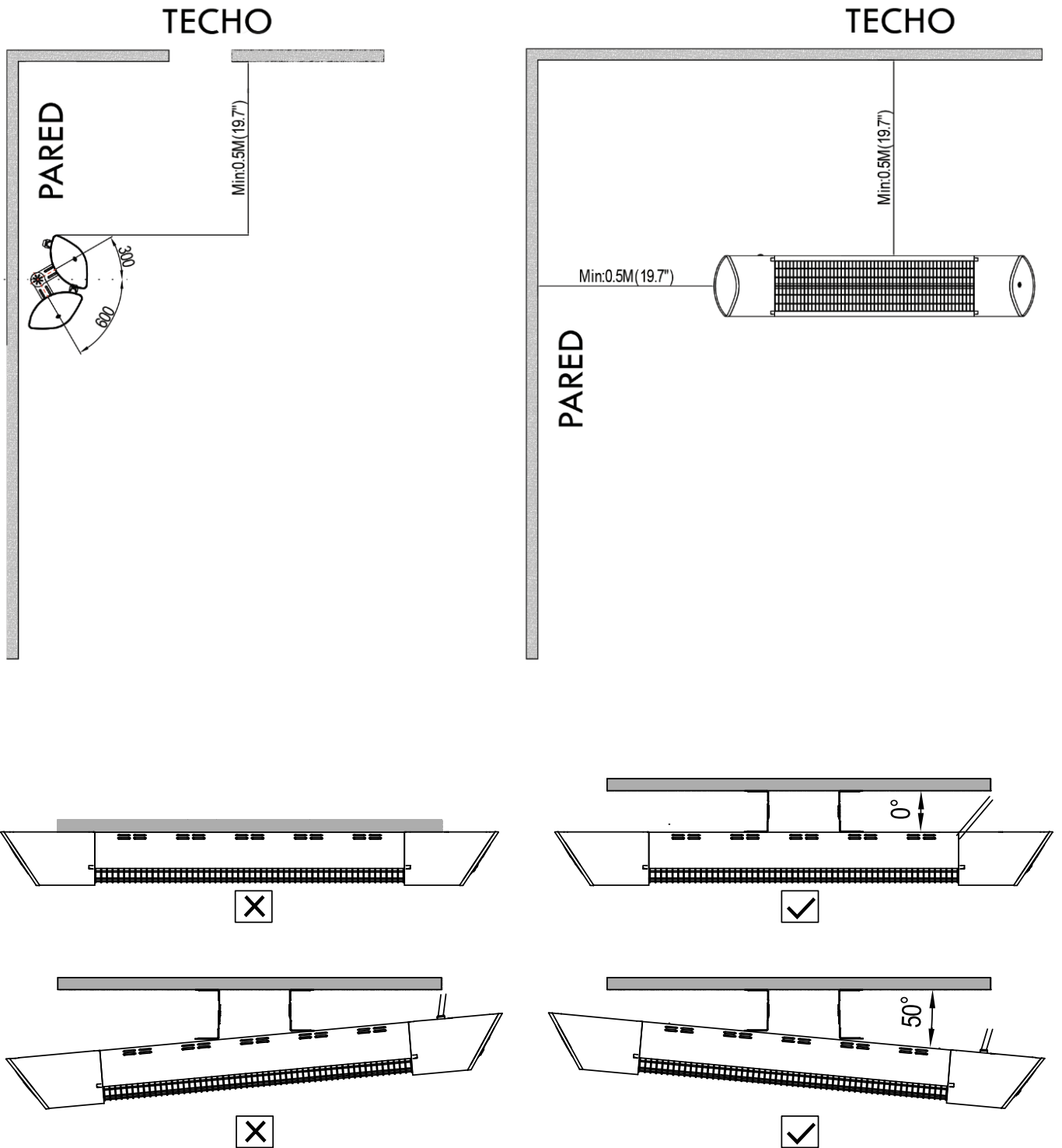
- Con la ayuda de un compañero, sujete el calentador al soporte en forma de L usando las tuercas de mariposa preinstaladas en la parte posterior del calentador y apriete las tuercas de mariposa con la mano.



INSTRUCCIONES DE MONTAJE E INSTALACIÓN

El calefactor debe instalarse al menos a 2,4 m (8 pies) por encima del nivel del suelo.

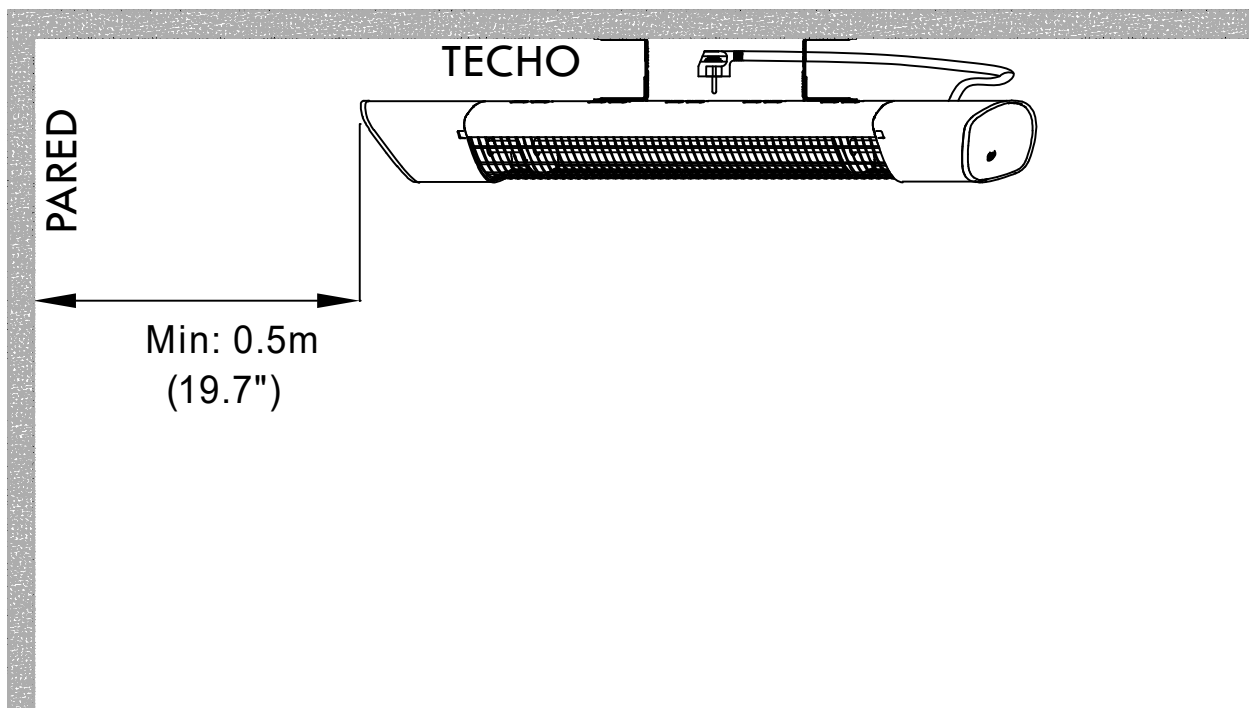
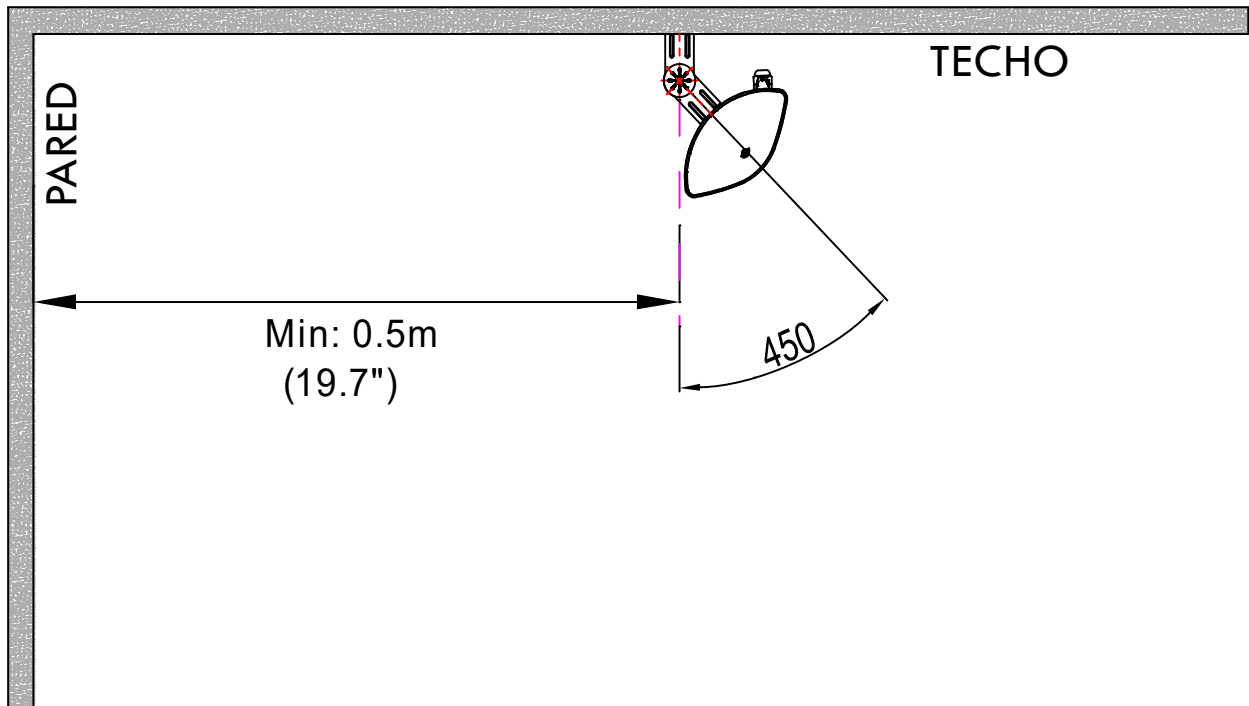
Atención: El cable no debe pasar por el calentador.



INSTRUCCIONES DE MONTAJE E INSTALACIÓN

El calefactor debe instalarse al menos a 2,4 m (8 pies) por encima del nivel del suelo.

Atención: El cable no debe pasar por la parte trasera del calentador.



INSTRUCCIONES DE MONTAJE E INSTALACIÓN (MONTAJE EN TRÍPODE)

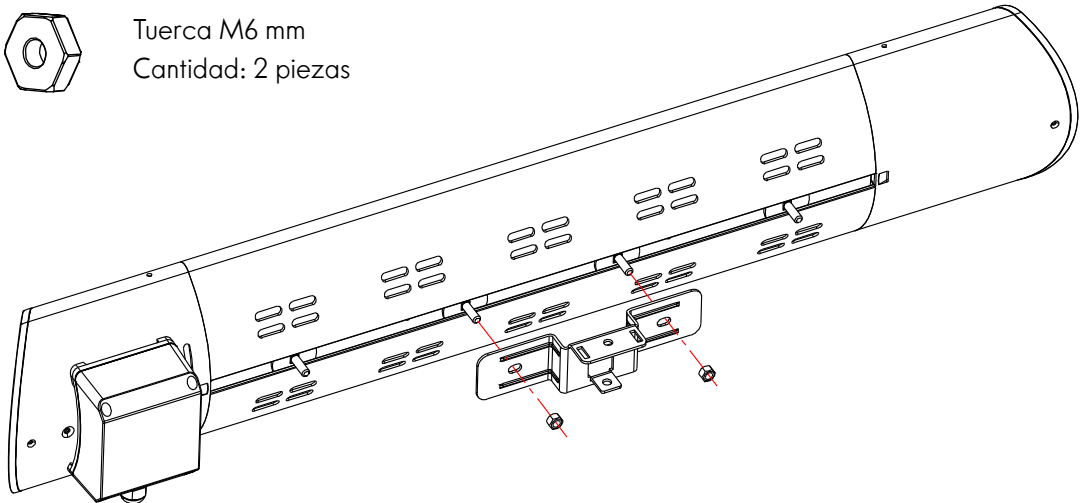
1

Instalación del soporte en forma de I

- Fije el soporte en forma de I (E) a la parte posterior del calentador con 2 piezas de tuercas M6 mm (F), apriételas con una llave.



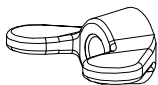
Tuerca M6 mm
Cantidad: 2 piezas



2

Instalación de trípode

- Después de extender el trípode a su altura máxima, asegúrelo con una tuerca de mariposa (A), una arandela curva de plástico (D) y un tornillo para metales PM6 mm x 44 mm (C).



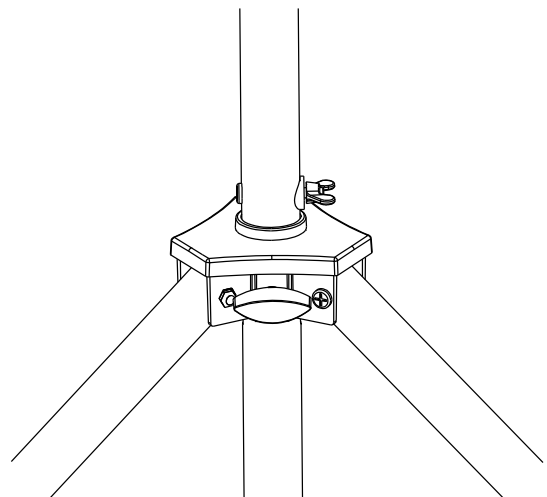
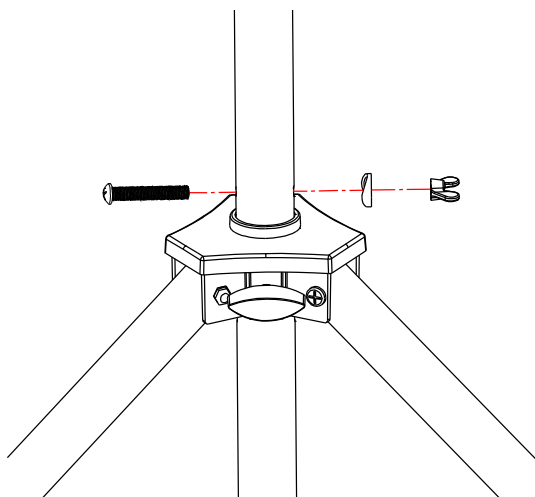
Tuerca de mariposa
Cantidad: 1 pieza



Arandela curva de plástico
Cantidad: 1 pieza



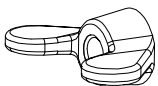
Tornillo de máquina PM6 mm x 44 mm
Cantidad: 1 pieza



3

Instalación del calentador al trípode

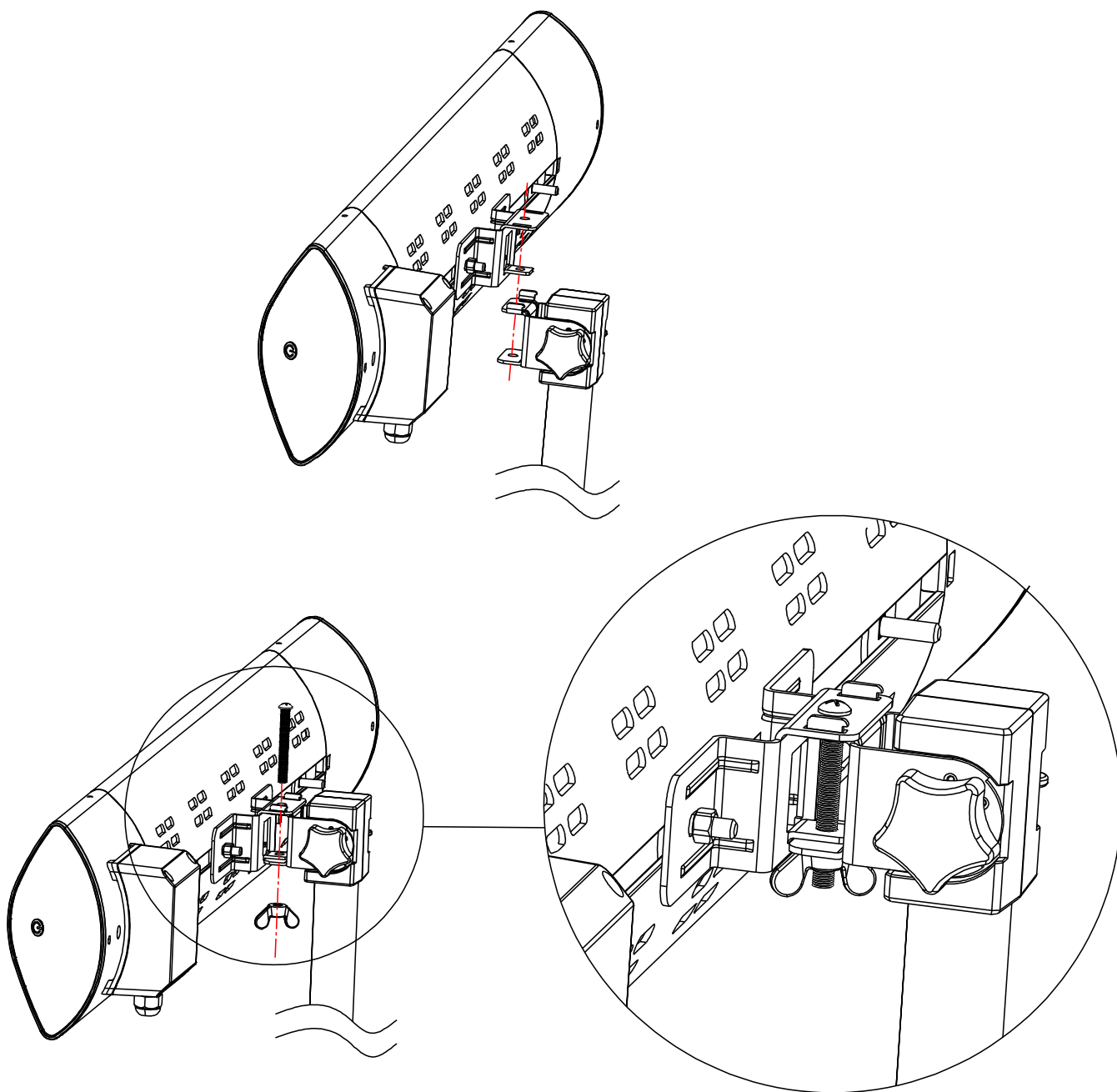
- Con la ayuda de un compañero, fije el conjunto del calentador a la base del trípode con un tornillo para metales PM6 mm x 60 mm (B) y una tuerca de mariposa (A).



Tuerca de mariposa
Cantidad: 1 pieza



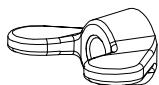
Tornillo de máquina PM6 mm x 60 mm
Cantidad: 1 pieza



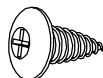
4

Instalación de rejilla de protección contra inclinación

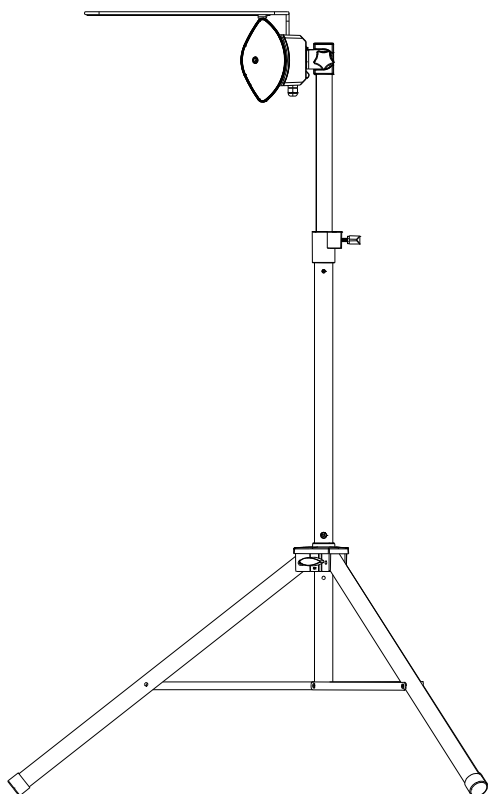
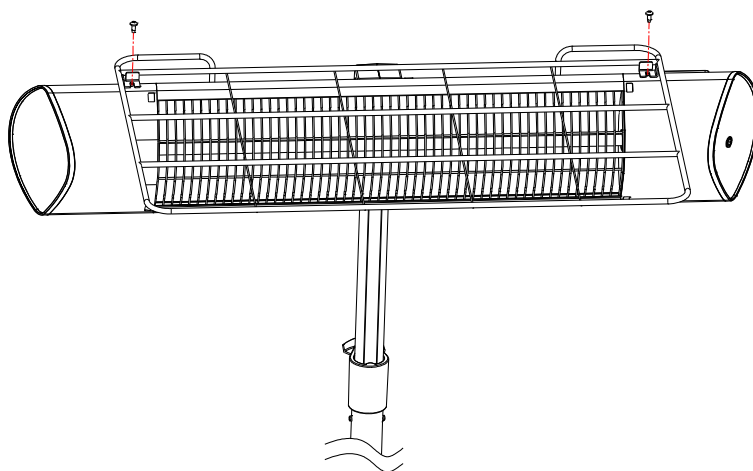
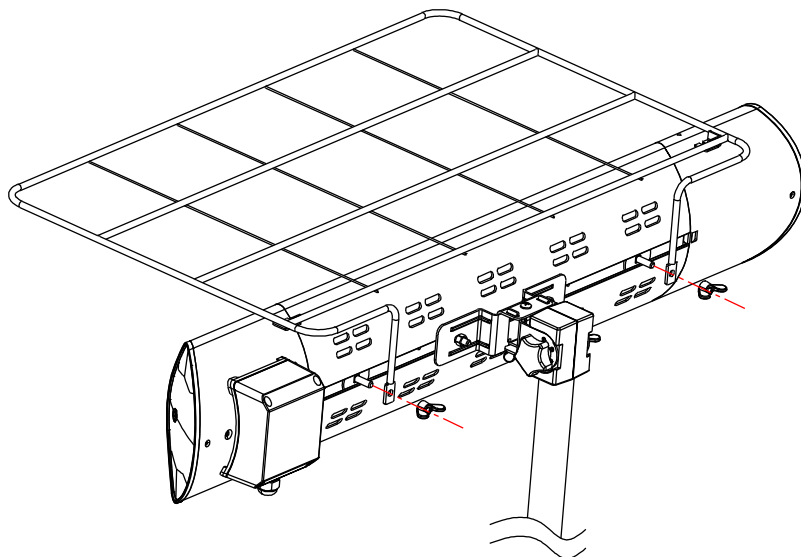
- **ATENCIÓN:** La rejilla de protección contra inclinación debe instalarse antes de enchufar.
- Utilice 2 piezas de tuercas de mariposa (A) y tornillos TMS (G) para fijar la rejilla de protección al calentador.



Tuerca de mariposa
Cantidad: 2 piezas



Tornillo TMS
Cantidad: 2 piezas




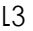
INSTRUCCIONES DE OPERACIÓN

FUNCIÓN CLAVE DEL PRODUCTO

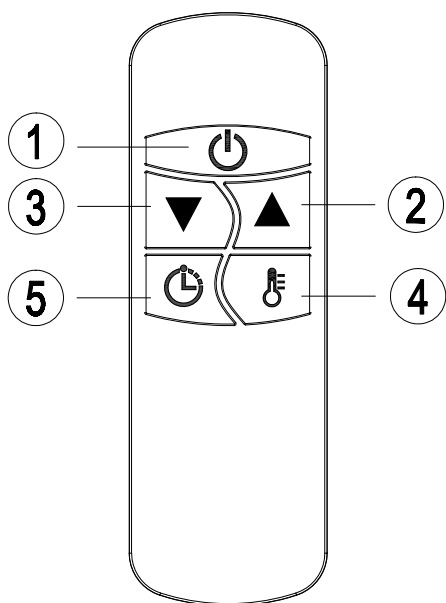
Pantalla LED:

1. Encienda el botón de encendido, el producto está en pantalla de modo de espera (- -).
2. Presione el botón de nivel de calefacción: seleccione el nivel de calefacción (L1 - L2 - L3 - en espera - apagado).
3. Presione el botón del temporizador: para configurar el temporizador de 0H a 24H, que es la cantidad de horas que funcionará. Aparecerá 0H y luego se ajustará a la cantidad de horas que le gustaría configurar.
4. Protección contra error por calor (EI).

Interruptor de botón:

1. Enchufe el calentador a un tomacorriente.
2. Encienda el interruptor de botón  , el producto está en la pantalla de modo de espera (- -).
3. Ajuste el nivel de calefacción L1-L3 presionando repetidamente el interruptor de botón  .

INSTRUCCIONES DEL CONTROL REMOTO



01. **BOTÓN DE ENCENDIDO:**
Apague el calentador.
02. **BOTÓN DE ARRIBA:**
Aumente el temporizador o el nivel de potencia.
03. **BOTÓN ABAJO:**
Disminuya el temporizador o el nivel de potencia.
04. **BOTÓN DE NIVEL:**
Úselo para ajustar los niveles de calor (L1 – L3).
Presione el botón Nivel y luego use los botones arriba y abajo (2 y 3) para aumentar o disminuir el nivel de calentamiento.
05. **BOTÓN TEMPORIZADOR:**
Para configurar el temporizador de 0H - 24H, que es el número de horas que funcionará. Aparecerá 0H y luego se ajustará a la cantidad de horas que le gustaría configurar, usando los botones arriba y abajo (2 y 3).

INSTRUCCIONES DE OPERACIÓN

INSERCIÓN DE BATERÍAS (no incluidas)

Inserte 2 pilas tipo AAA/alcálinas en su control remoto.

1. Voltee la parte trasera de su control remoto y extraiga la tapa de la batería. Inserte las pilas de acuerdo con las instrucciones y la polaridad de las pilas.
2. Cambie las baterías de la misma manera que se muestra arriba.

AVISO:

1. Reemplace las baterías viejas con baterías del mismo tipo. De lo contrario, es posible que su calentador no funcione bien.
2. Extraiga las pilas en caso de que no se utilicen durante mucho tiempo para evitar fugas que puedan dañar su control remoto.
3. No permita que entre agua o líquido en el control remoto.

PRECAUCIÓN:

Cuando el aparato no se utiliza durante un período prolongado, se realiza limpieza o mantenimiento o cuando se cambia la ubicación del calentador, el calentador debe apagarse y desconectarse de la conexión eléctrica.


La inspección periódica y la eliminación de la suciedad y los contaminantes garantizarán que el equipo pueda operarse de manera segura.

SOLUCIÓN DE PROBLEMAS

SOLUCIÓN DE PROBLEMAS

1. Compruebe si el cable de alimentación está enchufado a una toma de corriente; si no, enchúfelo.
2. Verifique si la electricidad al fusible principal está funcionando.
3. El código de error se muestra en la pantalla:

E1 Error en pantalla: Sobrecalentamiento de la unidad de control. Compruebe las holguras de instalación.

- a) Saque el enchufe.
- b) Espere 1 hora hasta que el calentador se enfríe.
- c) Enchufe el enchufe y presione el botón  para reiniciar el calentador.

Nota: El dispositivo de termostato actúa para apagar automáticamente el calentador cuando la unidad se sobrecalienta. Enfríe el calentador después de 1 hora y reinicie el calentador.

E2 Error en pantalla: Función de volcado. Asegúrese de que la unidad esté nivelada y reinicie el calentador.

L1,2,3 se muestra en la pantalla, pero no calienta: La bombilla está dañada. Póngase en contacto con el cliente Servicio.
1-888-287-0735 L-V 8:00-5:00 PST
o visite www.kenmoreheaters.com

ATENCIÓN:

1. Siempre desconecte el calentador del suministro eléctrico y deje que se enfríe antes de intentar trabajar en él.
2. Si el calentador ha acumulado polvo o suciedad dentro de la unidad o alrededor del elemento calefactor, haga que un agente de servicio calificado limpie la unidad. No opere el calentador en esta condición.
3. El único mantenimiento requerido es la limpieza de las superficies externas del calentador.
4. No toque el elemento calefactor con los dedos desnudos, ya que los residuos de su mano podrían afectar la vida útil de la lámpara. Si se toca accidentalmente, elimine las marcas de los dedos con un paño suave humedecido con alcohol mentolado o alcohol. Deje que se seque por completo antes de operar.
5. No intente reparar ni ajustar ninguna función eléctrica o mecánica de este calefactor.
6. El calentador no contiene piezas reparables por el usuario. Si el producto sufre daños o averías, debe devolverse al fabricante o a su agente de servicio.
7. Los cables de alimentación dañados deben ser reemplazados por el fabricante, el agente de servicio o una persona calificada similar para evitar peligros.

LIMPIEZA Y MANTENIMIENTO

MANTENIMIENTO

ATENCIÓN: El mantenimiento cuidadoso y regular es importante para asegurar el funcionamiento eficiente a largo plazo de este aparato.

1. Compruebe la limpieza del reflector y del filamento IR al menos una vez al mes. Si es necesario, aplique las instrucciones de limpieza y mantenimiento” a “consulte las instrucciones de limpieza a continuación.
2. El número de controles puede aumentarse teniendo en cuenta la cantidad de polvo en el ambiente.
3. Compruebe visualmente la deformación del reflector, el cable y el marco mientras limpia el aparato. En caso de deformación consultar con el servicio técnico local.
4. Revise visualmente el cable de alimentación y el enchufe mientras limpia el aparato. En caso de deformación consultar con su servicio técnico.

LIMPIEZA

La limpieza regular y cuidadosa ayuda a que su calentador de infrarrojos funcione de manera eficiente durante muchos años sin problemas. Para limpiar su calentador, siga los pasos a continuación:

1. Desenchufe el cable de alimentación por su seguridad antes de limpiar su electrodoméstico.
2. Asegúrese de que el calentador esté frío antes de continuar.
3. Para mantener limpio el calefactor, la cubierta exterior puede limpiarse con un paño suave y húmedo.
4. Puede usar un detergente suave si es necesario. Después de limpiar, seque la unidad con un paño suave. (PRECAUCIÓN: NO permita que entren líquidos en el calentador).
5. NO use alcohol, gasolina, polvos abrasivos, cera para muebles o cepillos ásperos para limpiar el calentador. Esto puede causar daño o deterioro a la superficie del calentador.
6. NO sumerja el calentador en agua. Espere hasta que el calentador esté completamente seco antes de usarlo.

RECICLAJE

Al final de la vida útil de los productos eléctricos, no se deben desechar con los residuos domésticos. Por favor, recicle en las instalaciones correspondientes. Consulte con su autoridad local o minorista para obtener consejos sobre reciclaje en su país.